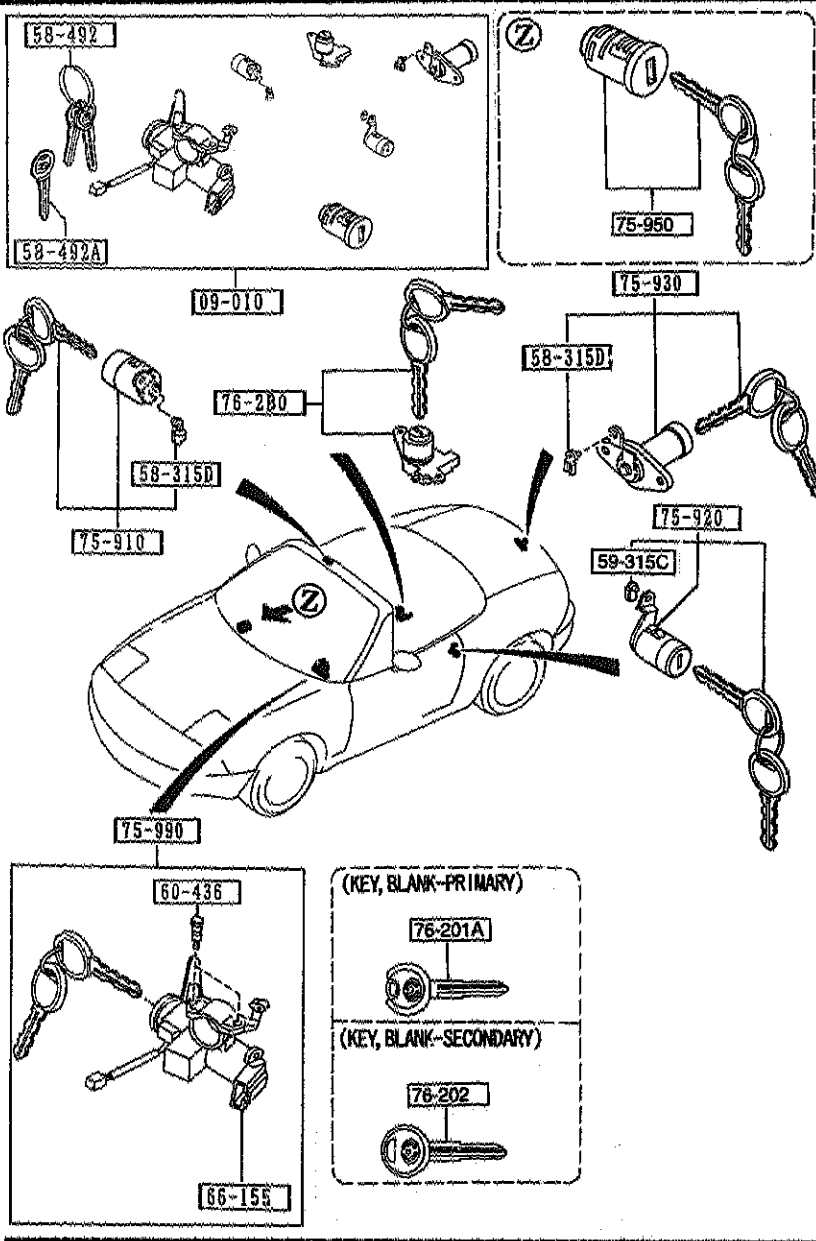


0900 KEY SETS



0900 -1 KEY SETS

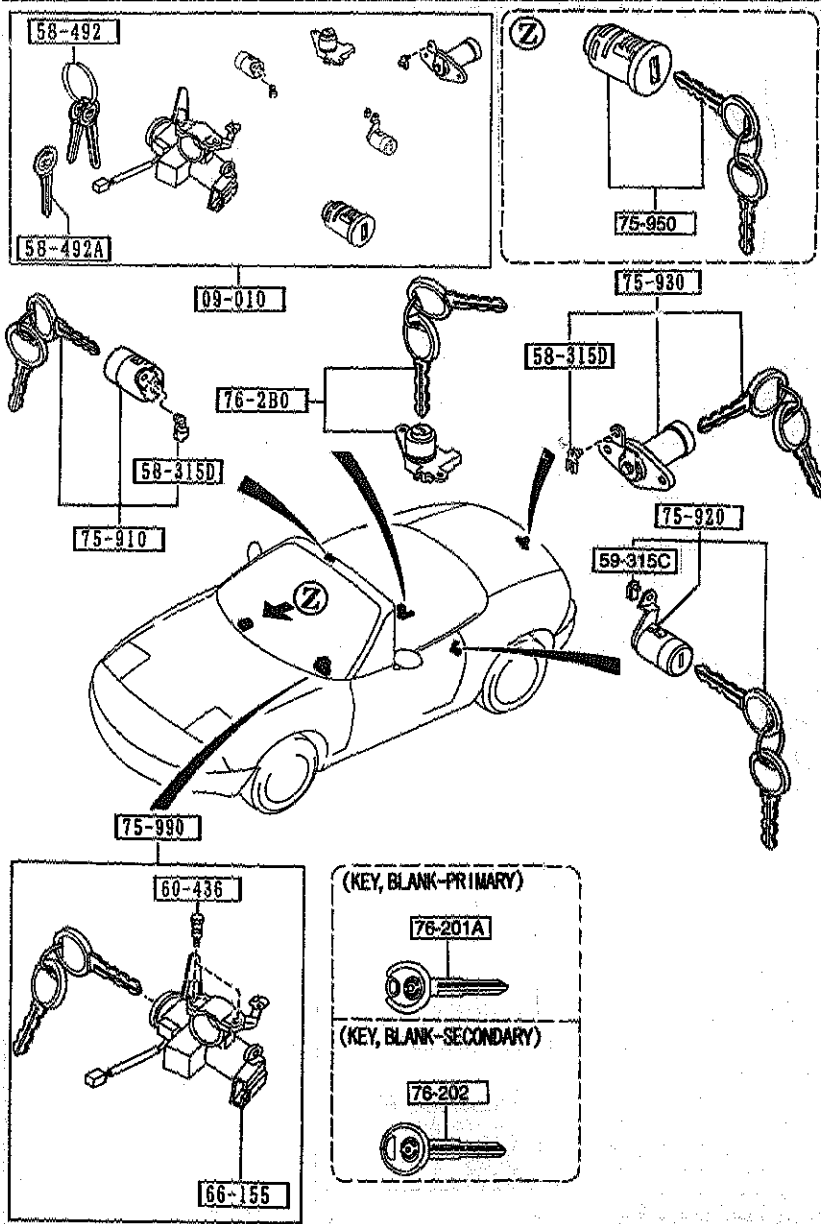
PART NO.	QTY	MODEL/RESTRICTION	MODEL/RESTRICTION	MODEL/RESTRICTION	FROM-TO
09-010		KEY SET			
NA75-09-010F	1	(MT)			
00	INT-	NA3 NA4 NA5 NA7 BLACK			
NA82-09-010D	1	(AT)			
00	INT-	NA3 NA4 NA5 NA7 BLACK			
58-315D		CLIP (R)			
G030-58-315	2				
58-492		KEY, PRIMARY			
FD01-58-492	2	KEY NO. IS REQUIRED			
58-492A		KEY, SECONDARY			
FD01-58-493	1	KEY NO. IS REQUIRED			
59-315C		CLIP*B'(L), DOOR LOCK			
G030-59-315	1				
60-436		BOLT, SET			
MH063-66-154	2				
66-155		SWITCH, IGNITION			
D001-66-151A	1				
75-910		KEY SUB SET(R), DOOR			
N001-76-210D	1				
75-920		KEY SUB SET(L), DOOR			
N001-76-220D	1				
75-930		KEY SUB SET, TRUNK			
NA01-76-230D	1				
75-950		KEY SUB SET, GLOVE			
EA70-76-250B	1				
75-990		KEY SUB SET, ST. LOCK			
NA75-76-290B	1	(MT)			

AJUNA06

CAT. AJUNA06-03

1998-07

0900 KEY SETS



0900 -2 \* KEY SETS

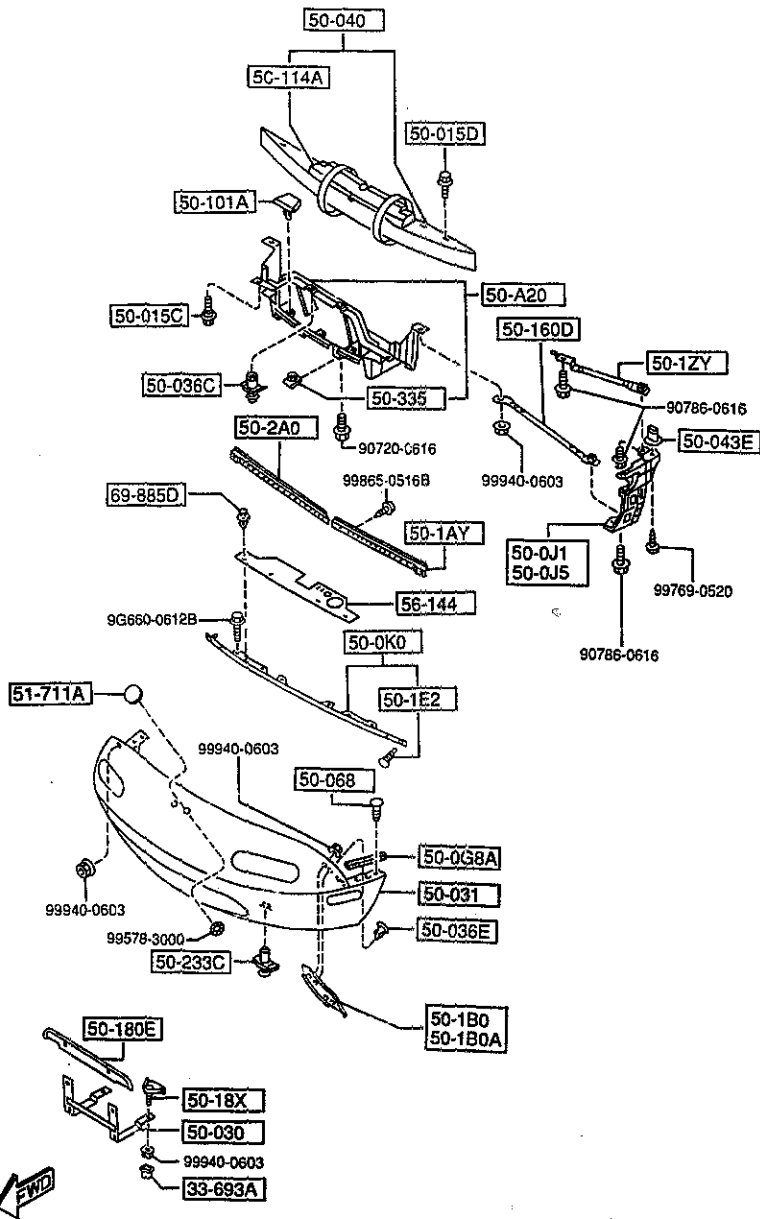
PART NO.	QTY	MODEL/RESTRICTION	MODEL/RESTRICTION	MODEL/RESTRICTION	FROM-TO
CDNT'D NAB1-76-290B	1	(AT)			
----- 76-280 -----		KEY SUB SET, CONSOLE			
NA01-76-280D	1				
00		BLACK			
----- 76-201A -----		KEY, BLANK-PRIMARY			
FD01-76-201	1				
----- 76-202 -----		KEY, BLANK-SECONDARY			
FD01-76-202	1				

AUNA06

CAT. AUNA06-03

1998-07

5000 FRONT BUMPER



5000 -1 FRONT BUMPER

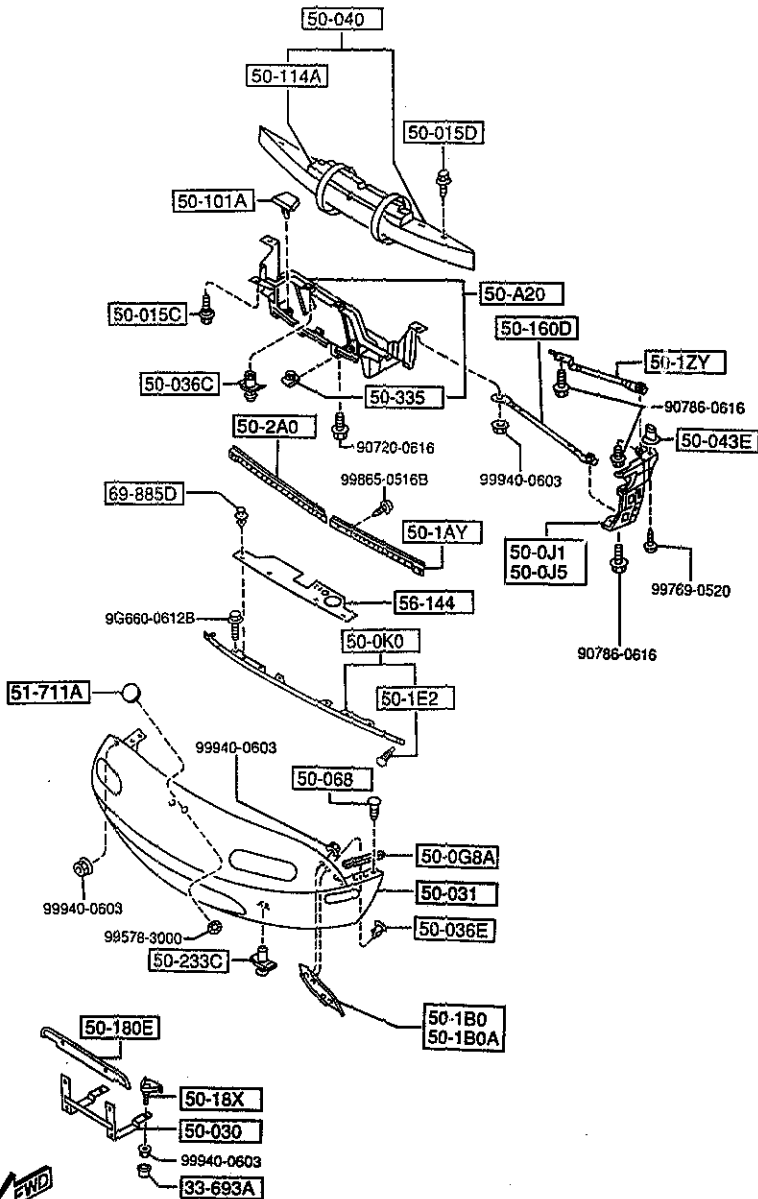
PART NO.	QTY	MODEL/RESTRICTION	MODEL/RESTRICTION	MODEL/RESTRICTION	FROM-TO
33-693A		CAP, BLEEDER SCREW			
0259-33-693	2				
50-A20		GUIDE, AIR			
NA01-50-A20A	1	(W/D A. LOCK BRAKE)			-7501
NA23-50-A20	1	(W/A. LOCK BRAKE)			-7501
NA01-50-A20B	1	(W/O A. LOCK BRAKE)			7501-
NA23-50-A20A	1	(W/A. LOCK BRAKE)			7501-
50-068A		SEAL, RUBBER-FRONT BUMPER			
NA01-50-069	2				
50-0J1		RETAINER(R), FRONT BUMPER			
NA01-50-0J1	1				
50-0J5		RETAINER(L), FRONT BUMPER			
NA01-50-0J5	1				
50-0K0		RETAINER, FASCIA			
NA01-50-0K0B	1				
50-015C		BOLT			
FB01-50-132	2				
50-015D		BOLT			
NA01-50-022	8				
50-030		HOLDER, NO. PLATE			
NA01-50-180A	1				
50-031		BUMPER, FRONT			
MAY1-50-030	1	PAINT TO MATCH			
50-036C		FASTENER			
BF67-50-033	2				
50-036E		CLIP			
KA01-50-102	6				
7501 NA35XV-736464					

AUNA06

CAT. AUNA06-03

1998-07

5000 FRONT BUMPER



5000 -2 FRONT BUMPER

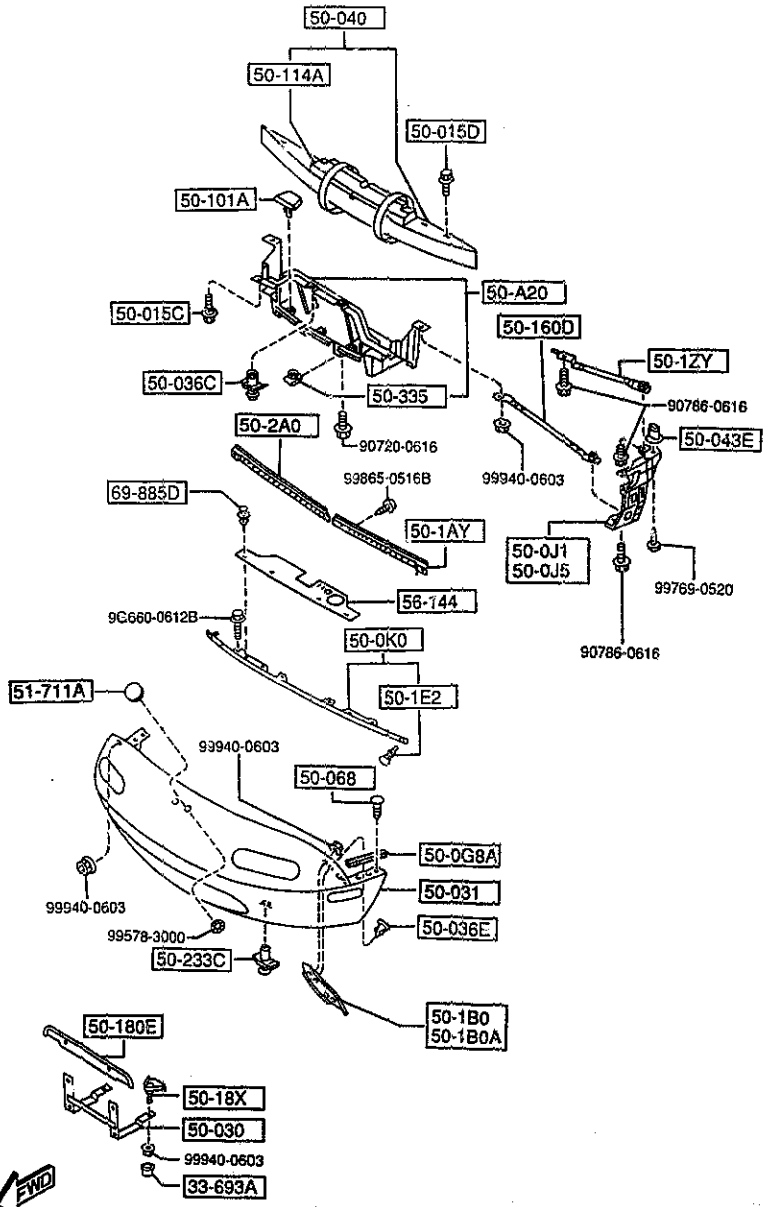
PART NO.	QTY	MODEL/RESTRICTION	MODEL/RESTRICTION	MODEL/RESTRICTION	FROM-TO
50-040		REINFORCEMENT, BUMPER			
NA01-50-070	1	(W/O DAY RUNNING LAMP)			
50-043E		SLIDE 'A', BUMPER			
B092-50-032	2				
50-068		CLIP			
NA01-50-068	6				
50-1AY		PLATE, SET NO. 1			
NA01-50-1AYC	1				
50-180		PLATE NO. 2 (R), SET-F. BUMPER			
NA01-50-180	1				
50-180A		PLATE NO. 2 (L), SET-F. BUMPER			
NA01-50-180A	1				
50-1E2		BOLT			
NA01-50-1E2	2				
50-1ZY		BRACKET, FENDER			
NA01-50-1ZYB	2				
50-101A		COVER, GRILLE			
NA01-50-101A	3				
50-114A		SPACER, E. A. FOAM			
NA01-50-114	1				
50-160D		BRACKET (L), F. BUMPER SIDE			
NA01-50-160	1	(W/A. LOCK BRAKE)			
NA01-50-160	2	(W/O A. LOCK BRAKE)			
50-18X		BRACKET, LICENCE PLATE			
NA01-50-18X	2				
50-180E		PROTECTOR, NO. PLATE			
FB01-50-144	1				

AJNA06

CAT. AJNA06-03

1998-07

5000 FRONT BUMPER



500B -3 \* FRONT BUMPER

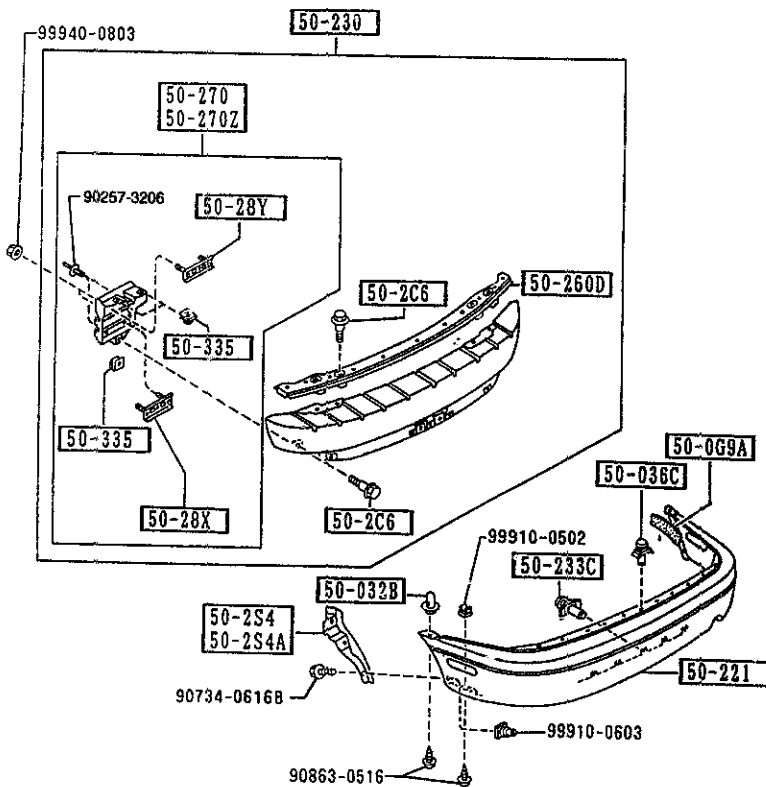
PART NO.	QTY	MODEL/RESTRICTION	MODEL/RESTRICTION	MODEL/RESTRICTION	FROM-TO
50-2A0 NA01-50-2A0B	1	SET PLATE NO.1(R),RR BUMPER			
50-233C BF82-50-233	2	FASTENER,REAR BUMPER			
50-335 FB01-50-133C	4	NUT,CLIP			
51-711A BB1H-51-731	1	ORNAMENT,FRONT			
56-144 NA75-50-0K7A	1	SEAL,BUMPER			
69-885D NA01-56-145	4	FASTENER			

AUNA06

CAT. AUNA06-03

1998-07

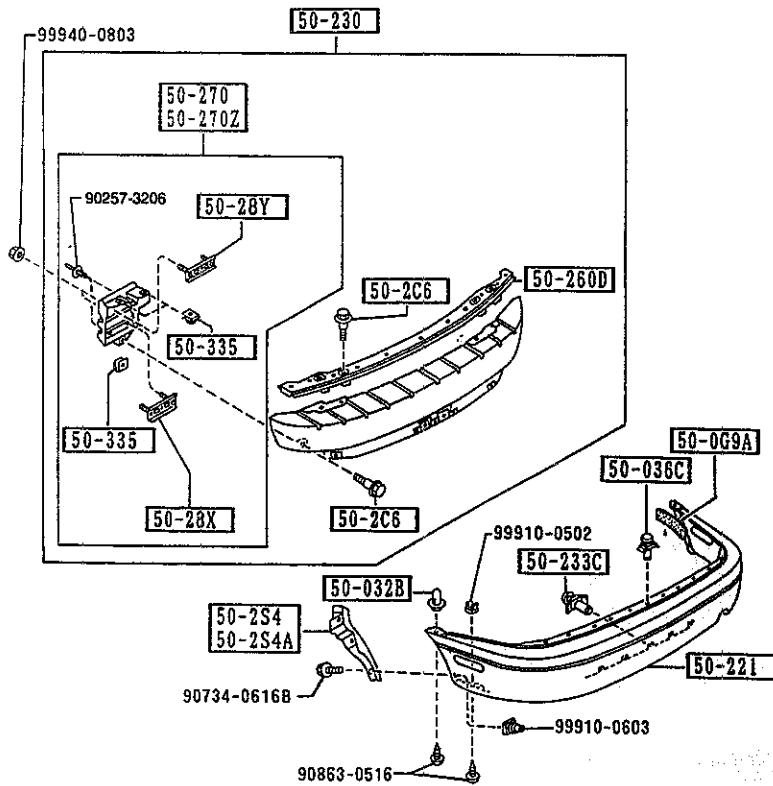
5010 REAR BUMPER



5010 -1 REAR BUMPER

PART NO.	QTY	MODEL/RESTRICTION	MODEL/RESTRICTION	MODEL/RESTRICTION	FROM-TO
50-069A NA01-50-068	2	SEAL, RUBBER-REAR BUMPER			
50-032B GJ21-50-032	2	SLIDE 'UP.', BUMPER			
50-036C BF67-50-033	7	FASTENER			
50-2C6 NA01-50-2C6	6	BOLT			
50-2S4 NA01-50-2S4	1	SHIELD(R), SPLASH-R. BUMPER			
50-2S4A NA01-50-2S5	1	SHIELD(L), SPLASH-R. BUMPER			
50-221 NA01-50-220A	1	BUMPER, REAR PAINT TO MATCH			
50-230 NA01-50-260	1	REINFORCEMENT, BUMPER (W/O DAY RUNNING LAMP)			
50-233C BF82-50-233	5	FASTENER, REAR BUMPER			
50-260D NA01-50-2J0	1	RETAINER, R. BUMPER			
50-270 NA01-50-280A	1	STAY(R), RR. BUMPER			
50-270Z NA01-50-290A	1	STAY(L), RR. BUMPER			
50-28X NA01-50-28XC	2	PLATE SET			

5010 REAR BUMPER



5010 -2 \* REAR BUMPER

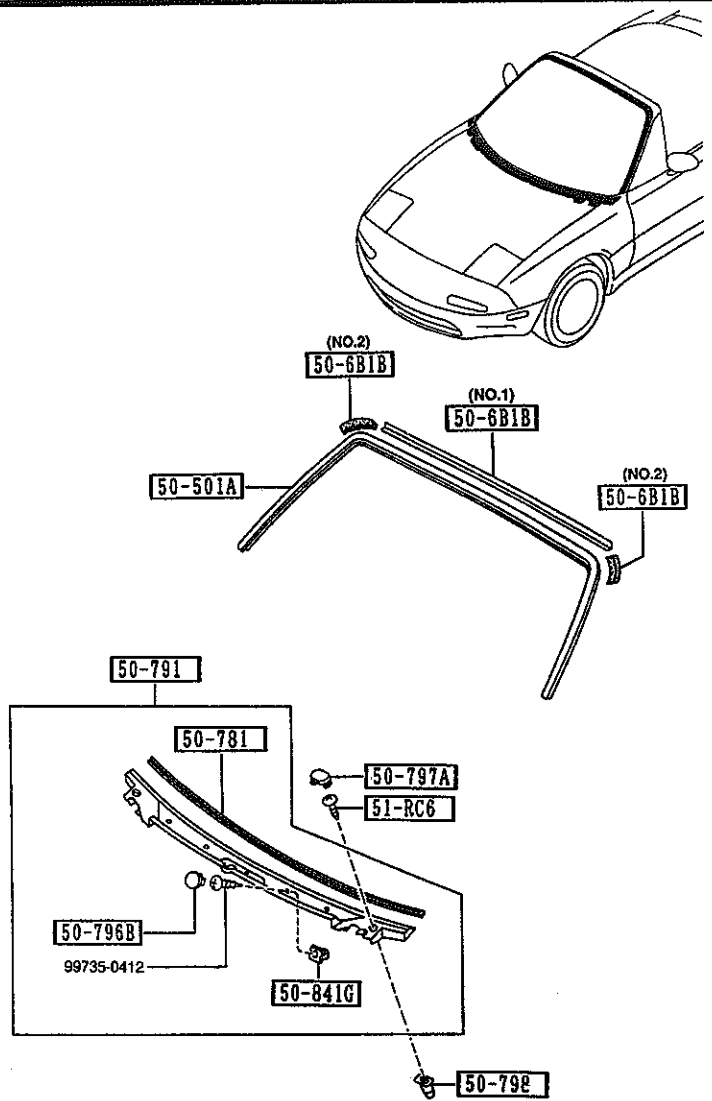
PART NO.	QTY	MODEL/RESTRICTION	MODEL/RESTRICTION	MODEL/RESTRICTION	FROM-TO
50-28Y		PLATE SET			
NA01-50-28YC	2				
50-335		NUT, CLIP			
NA01-50-133	6				

AUNA06

CAT. AUNA06-03

1998-07

5030 WINDOW MOULDING & COWL GRILLES

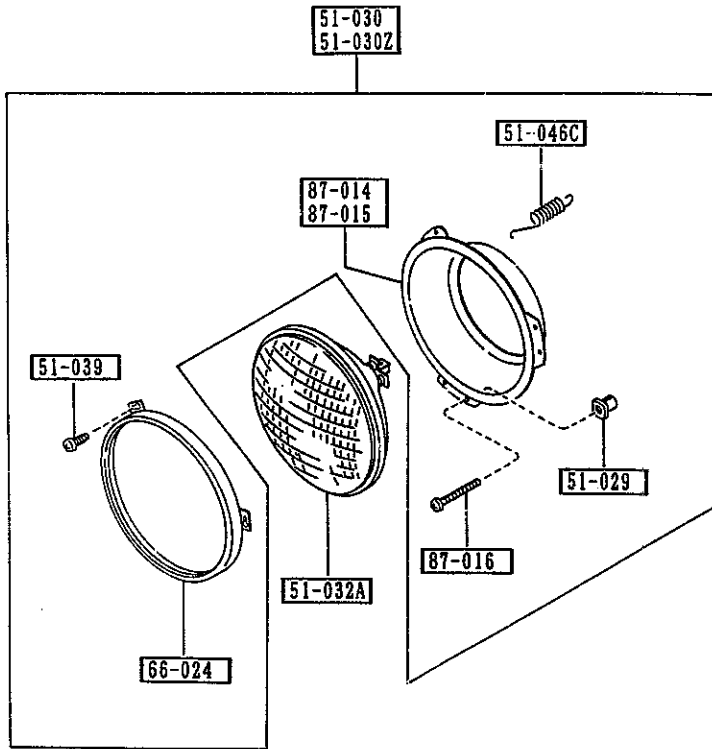


5030 -1 \* WINDOW MOULDING & COWL GRILLES

PART NO.	QTY	MODEL/RESTRICTION	MODEL/RESTRICTION	MODEL/RESTRICTION	FROM-TO
50-501A		MOULD(UP),FRT.WINDOW			
NAV1-50-601	1				-7324
*NA01-50-601A	1				7324-
50-6B1B		PROTR.MOULD-FRT WIND OW			
NA01-50-6B1	1	(ILLUST. NO.1)			-7324
NA01-50-6B2	2	(ILLUST. NO.2)			-7324
DX50-50-6B1	1	(ILLUST. NO.1)			7324-
50-781		PROTECTOR,COWL GRILL E			
NA01-50-792A	1				
50-791		GRILLE,COWL			
NA01-50-790E	1				
50-796B		CAP			
B455-50-796A	5				
50-797A		CAP			
NA01-50-797A	2				
50-798		SCREW,GROMMET			
NA01-50-798	2				
50-841G		GROMMET,SCREW			
NA01-51-789	5				
51-RC6		SCREW,SIDE GARNISH			
H272-51-RC6	2				

7324 NA35\*V-733789



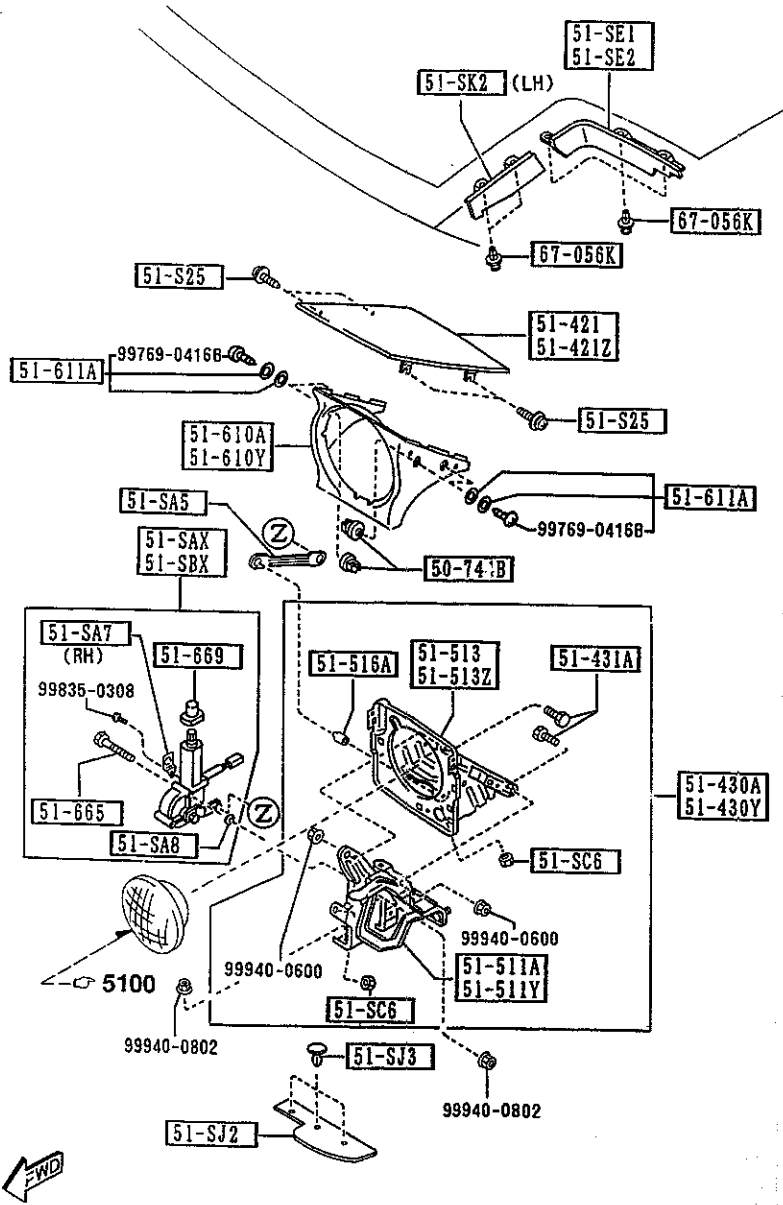


PART NO.	QTY	MODEL/RESTRICTION	MODEL/RESTRICTION	MODEL/RESTRICTION	FROM-TO
51-029		GROMMET, SCREW			
0483-66-061A	4				
51-030		LAMP SET(R), HEAD			
88N1-51-030	1				
51-030Z		LAMP SET(L), HEAD			
88N1-51-040	1				
51-032A		UNIT, HEAD LAMP			
NA02-51-031	2				
51-039		SCREW			
8481-51-0E3	6				
51-046C		SPRING			
NA01-51-046	2				
66-024		RING, RETAINING			
NA01-51-033A	2				
87-014		RING(R) MOUNTING			
NA01-51-032	1				
87-015		RING(L) MOUNTING			
NA01-51-034	1				
87-016		SCREW, ADJUST			
NA01-51-037	4				



5103 HEAD LAMP RETRACTORS

5103 -1 HEAD LAMP RETRACTORS



PART NO.	QTY	MODEL/RESTRICTION	MODEL/RESTRICTION	MODEL/RESTRICTION	FROM-TO
50-744B		GROMMET, SCREW			
B481-50-744	8				
51-SAX		MOTOR(R), RETRACTABLE HEAD			
NA01-51-SAX	1				
51-SA5		ROD, RETRACTABLE			
NA01-51-SA5	2				
51-SA7		BRACKET, CLIP			
NA01-51-SA7	1				
51-SAB		WASHER			
NA01-51-SAB	6				
51-SBX		MOTOR(L), RETRACTABLE HEAD			
NA01-51-SBX	1				
51-SC6		NUT, STOPPER-LAMP HINGE			
KA01-51-SC6	4				
51-SE1		PROTECTOR(R), RETRA H/L			
NA01-51-SE1	1				
51-SE2		PROTECTOR(L), RETRA H/L			
NA01-51-SE2	1				
51-SJ2		PROTECTOR(L), RETRA FRONT			
NA01-51-SJ2A	2				
51-SJ3		CLIP			
NA01-51-SJ3	6				
51-SK2		PROTECTOR(L), RETRA SIDE			
NA01-51-SK2	1				
51-S25		BOLT, LAMP LID			
BS34-51-S25A	8				
51-421		LID(R), LAMP			
NA01-51-SH1B	1				

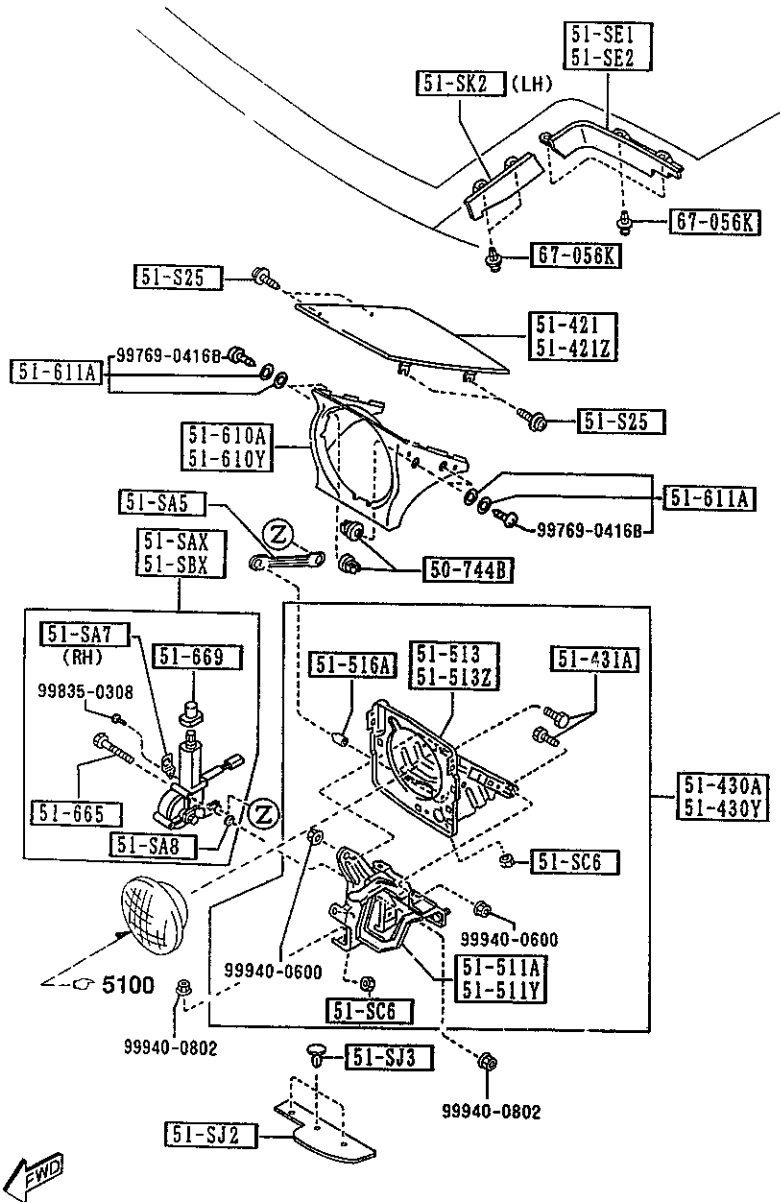
AUNA06

CAT. AUNA06-03

1998-07

5103 HEAD LAMP RETRACTORS

5103 -2 HEAD LAMP RETRACTORS



PART NO.	QTY	MODEL/RESTRICTION	MODEL/RESTRICTION	MODEL/RESTRICTION	FROM-TO
51-421Z		LID(L),LAMP			
NA01-51-SM2B	1				
51-430A		HINGE(R),LID-LAMP			
NA01-51-SC0B	1				
51-430Y		HINGE(L),LID-LAMP			
NA01-51-SD0B	1				
51-431A		BOLT,HINGE			
KA01-51-SD7	4				
51-511A		BRACKET(R),HINGE-LAMP LID			
NA01-51-SC1A	1				
51-511Y		BRACKET(L),HINGE-LAMP LID			
NA01-51-SD1A	1				
51-513		HOUSING(R),LAMP-LID HINGE			
NA01-51-SC5B	1				
51-513Z		HOUSING(L),LAMP-LID HINGE			
NA01-51-SD5B	1				
51-516A		CAP,HINGE-H.L.RETRACTABLE			
KA01-51-SD6	2				
51-610A		BEZEL(R),HEAD LAMP			
NA01-50-741	1				
51-610Y		BEZEL(L),HEAD LAMP			
NA01-50-751	1				
51-611A		SCREW,HEAD LAMP BEZEL			
B481-50-75X	8				
51-665		BOLT,MOTOR-RETRACT H/LAMP			
FB01-51-665	6				
51-669		BOOT,MOTOR-RETRACT H/L			
NA01-51-669	2				

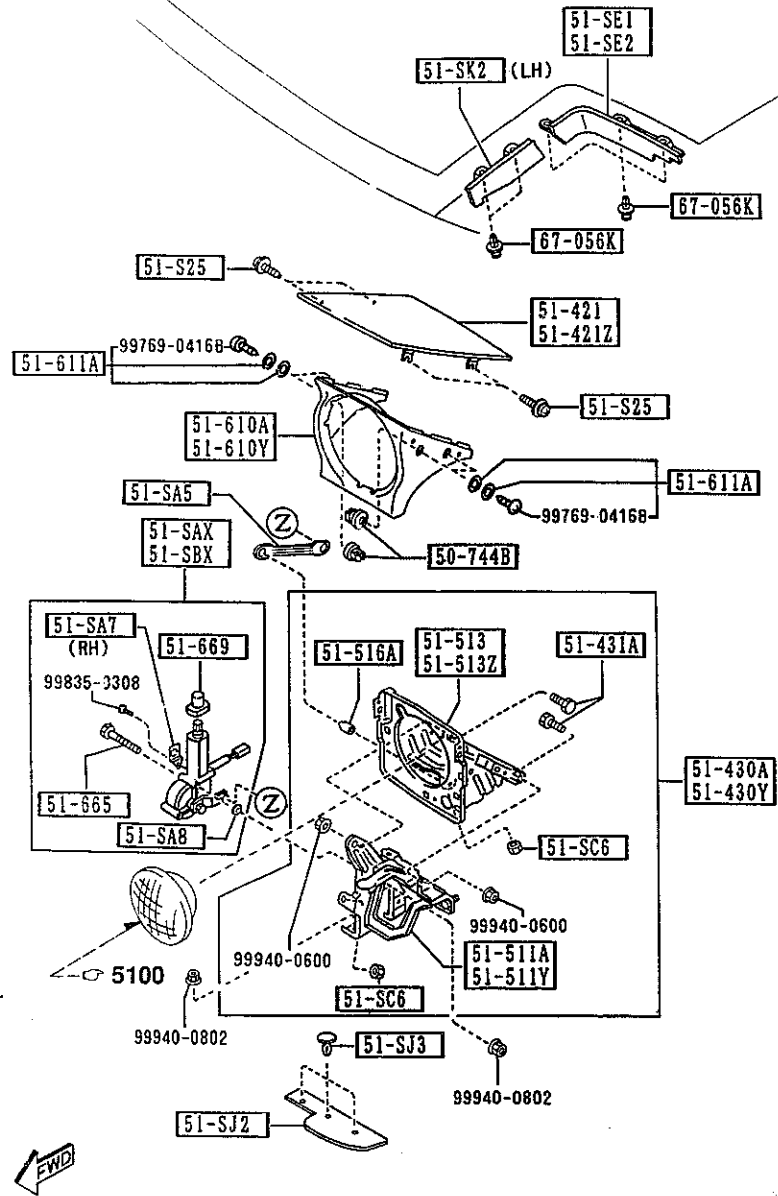
AUNA06

CAT. AUNA06-03

1998-07

5103 HEAD LAMP RETRACTORS

5103 -3 \* HEAD LAMP RETRACTORS



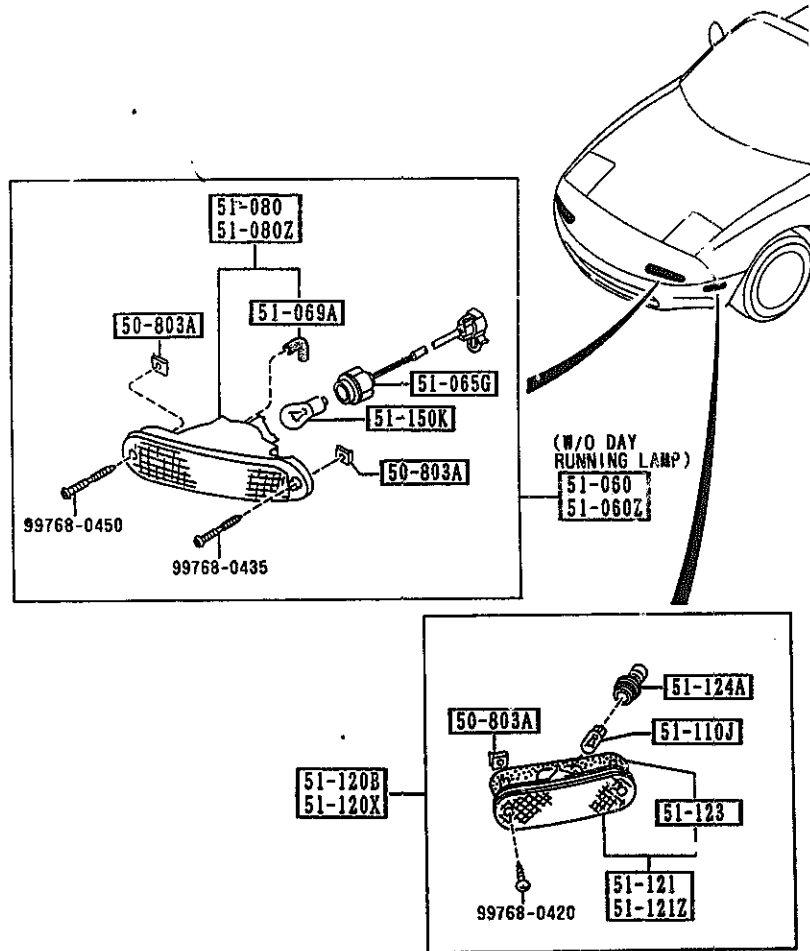
PART NO.	QTY	MODEL/RESTRICTION	MODEL/RESTRICTION	MODEL/RESTRICTION	FROM-TO
+-----+   67-056K   +-----+ UB39-50-795	8	RIVET			

AUNA06

CAT. AUNA06-03

1998-07

5105 FRONT COMBINATION LAMPS



5105 -1 FRONT COMBINATION LAMPS

PART NO.	QTY	MODEL/RESTRICTION	MODEL/RESTRICTION	MODEL/RESTRICTION	FROM-10
50-803A		NUT, SIDE PROTECTDR			
G158-50-803	8				
51-060		LAMP SET(R), FRT COMB			
8BN1-51-060	1	(W/O DAY RUNNING LAMP)			
51-068Z		LAMP SET(L), FRT COMB			
8BN1-51-070	1	(W/O DAY RUNNING LAMP)			
51-065G		SOCKET, F. COMB. LAMP			
NA01-51-064	2	(W/O DAY RUNNING LAMP)			
51-069A		TUBE, HEAD LAMP			
NA01-51-069	2				
51-080		LENS & HOUSING(R)			
NA01-51-06XA	1				
51-080Z		LENS & HOUSING(L)			
NA01-51-07XA	1				
51-118J		BULB			
99701-6038	2	12V 3.8W			
51-120B		LAMP SET(R), SIDE TURN			
8BN1-51-120	1				
51-120X		LAMP SET(L), SIDE TURN			
8BN1-51-130	1				
51-121		LENS & BODY(R)			
NA01-51-5EXA	1				
51-121Z		LENS & BODY(L)			
NA01-51-5FXA	1				
51-123		GASKET, SIDE TURN			
NA01-51-5D3A	2				

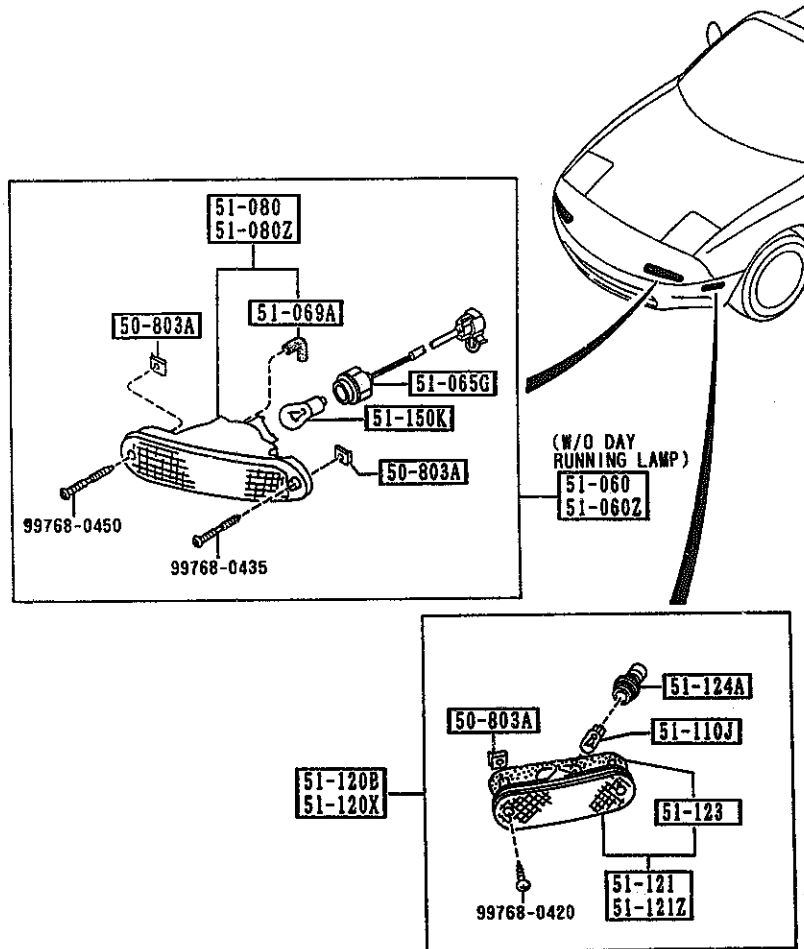
AUNA06

CAT. AUNA06-03

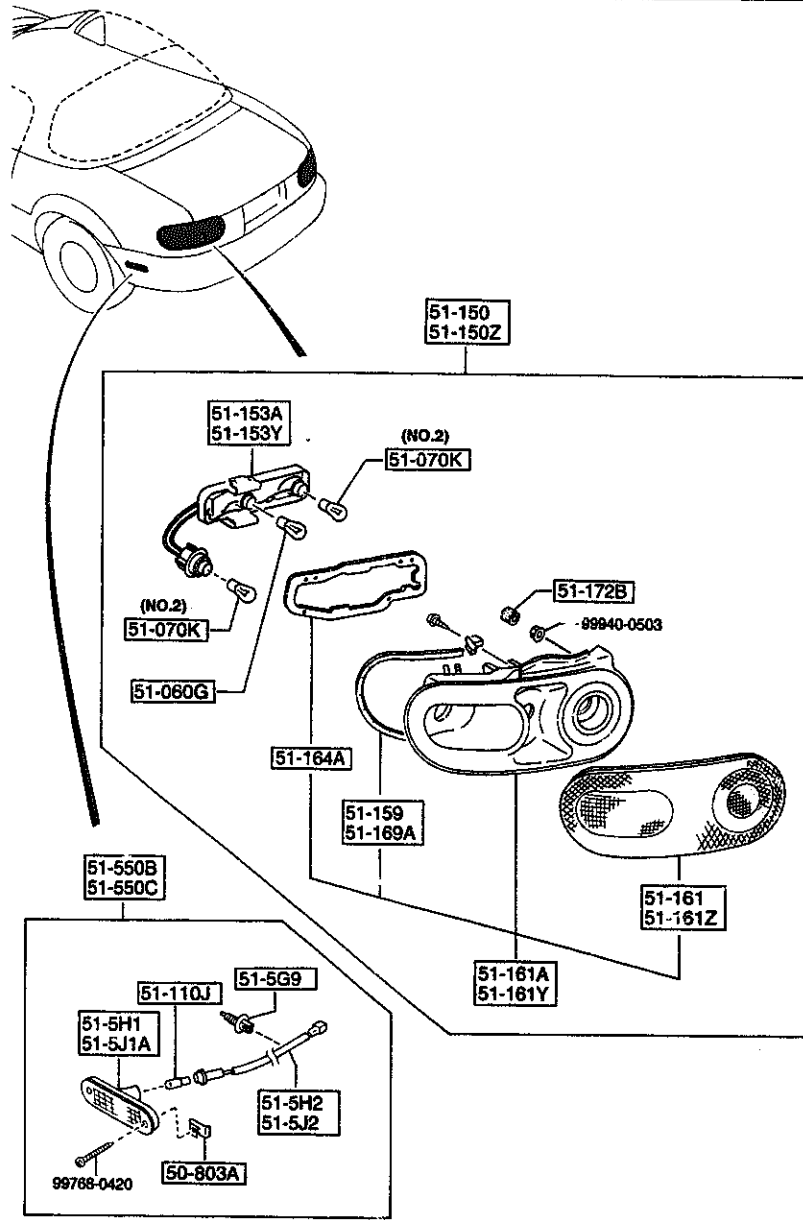
1998-07

5105 FRONT COMBINATION LAMPS

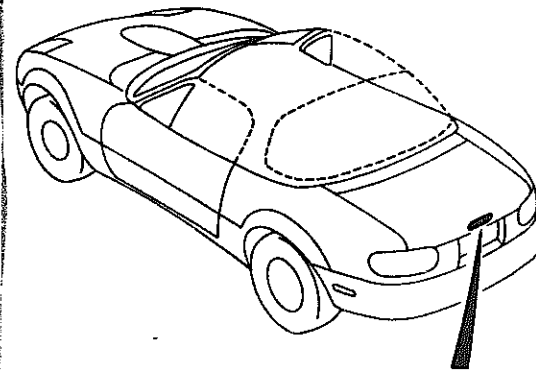
5105 -2 \* FRONT COMBINATION LAMPS



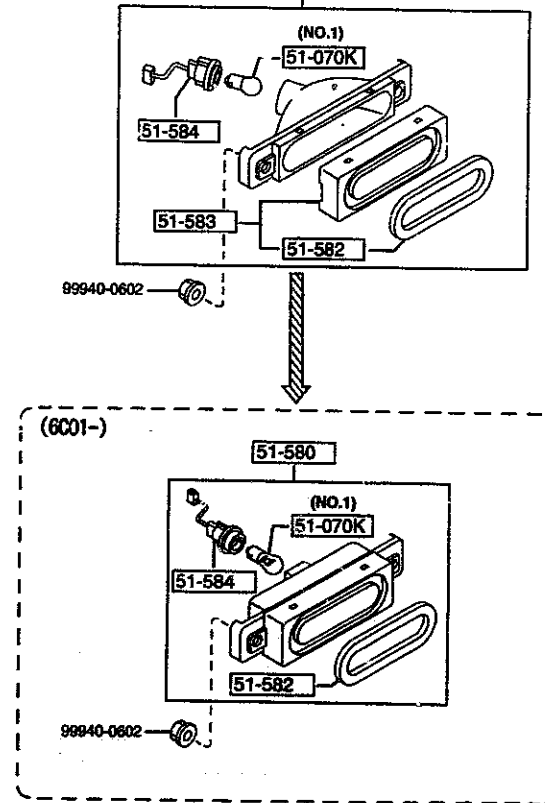
PART NO.	QTY	MODEL/RESTRICTION	MODEL/RESTRICTION	MODEL/RESTRICTION	FROM-TO
51-124A		SOCKET, SIDE TURN			
NA01-51-5E2	2				
51-150K		BULB			
99701-4278Y	2	A12V 27/8W			



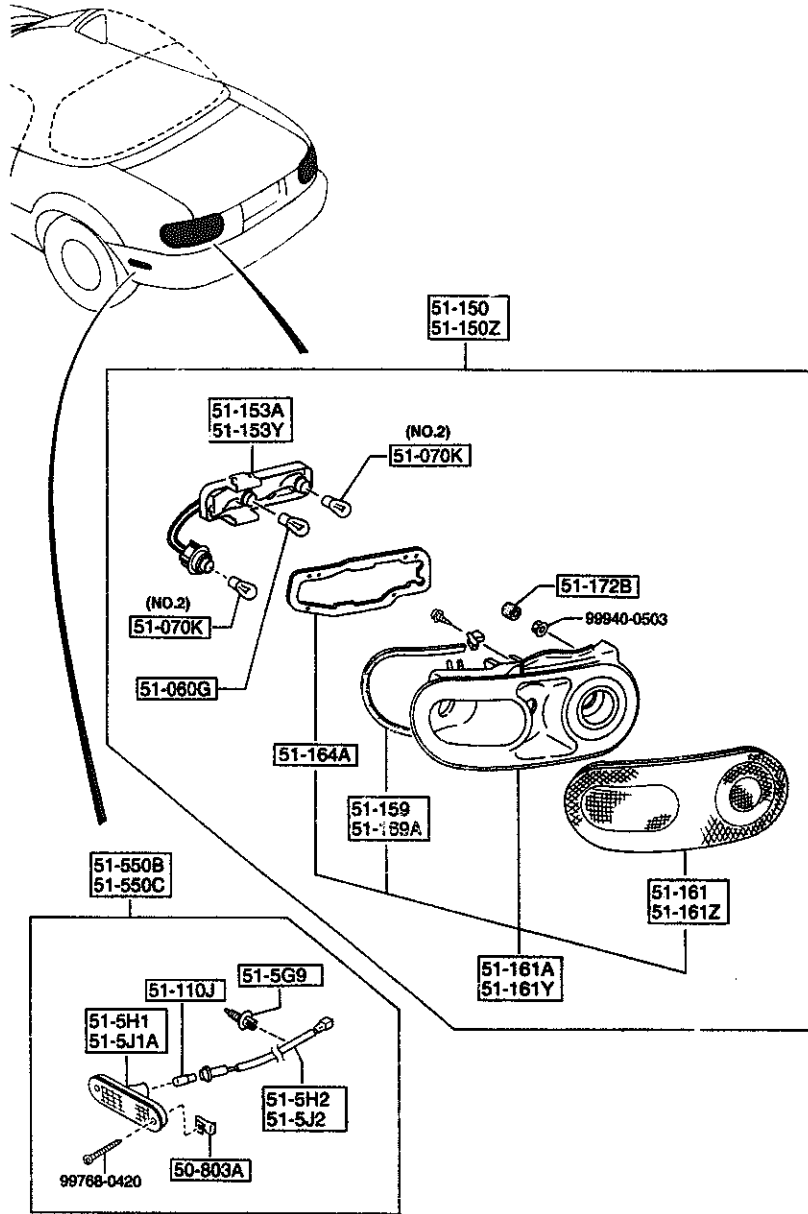
AUNA06



51-580 (-6001)



AUNA06



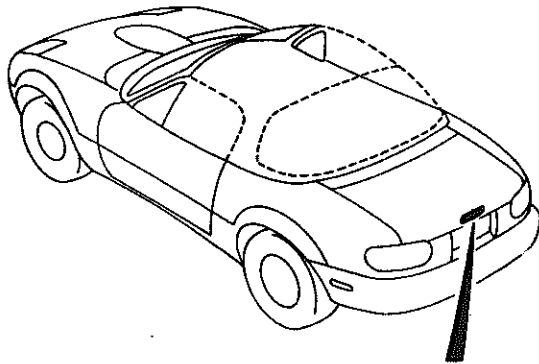
AUNA06

PART NO.	QTY	MODEL/RESTRICTION	MODEL/RESTRICTION	MODEL/RESTRICTION	FROM-TO
50-803A		NUT, SIDE PROTECTOR			
6158-50-803	4				
51-0608		BULB			
99701-4278	2	12V 27W/8W			
51-070K		BULB			
99701-3270	4	12V 27W (ILLUST. NO.2)			
99700-7180	1	A12V 18.4W (ILLUST. NO.1)			-6C01
99701-3210	1	12V 21W (ILLUST. NO.1)			6C01-
51-110J		BULB			
99701-6038	2	12V 3.8W			
51-150		LAMP SET(R), RR. COMB.			
8BN1-51-150	1				
51-150Z		LAMP SET(L), RR. COMB.			
8BN1-51-160	1				
51-153A		SOCKET(R), RR. COMB.			
N001-51-155A	1				
51-153Y		SOCKET(L), RR. COMB.			
N001-51-165A	1				
51-159		PROTECTOR(R), 'A'			
NA01-51-159	1				
51-161		LENS(R), RR. COMB.			
MA01-51-15XC	1				
51-161A		LENS & BODY(R), RR CO MB.			
NA01-51-170B	1				
51-161Y		LENS & BODY(L), RR CO MB.			
NA01-51-180B	1				
6C01 NA35*V-725591					

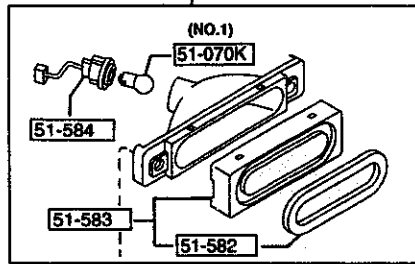
CAT. AUNA06-03

1998-07

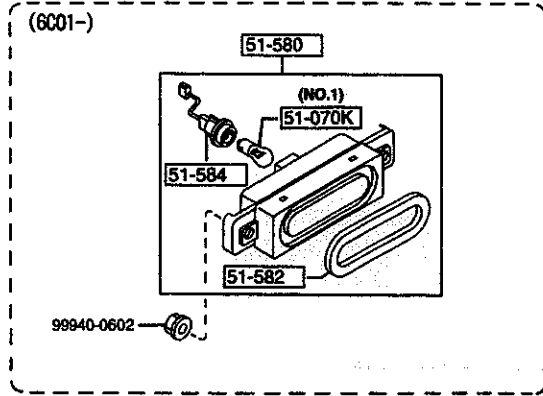




51-580 (-6C01)



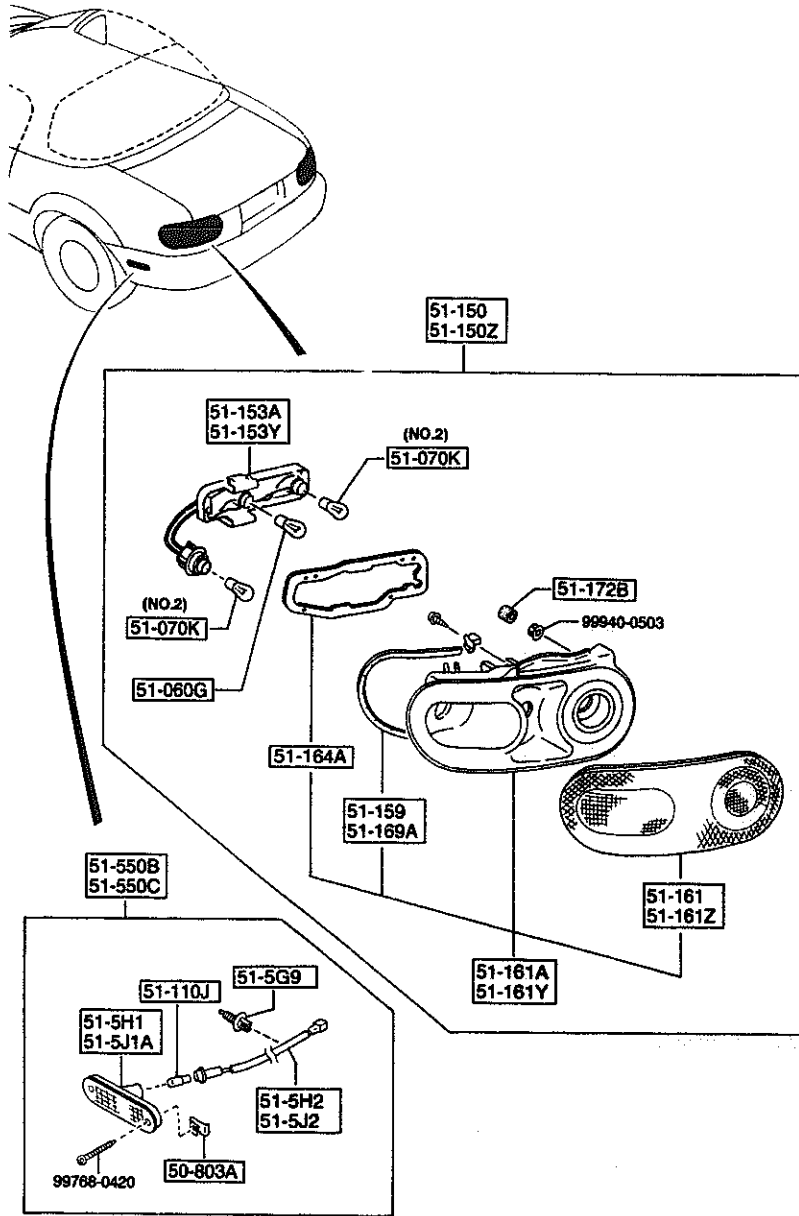
99940-0602



99940-0602

PART NO.	QTY	MODEL/RESTRICTION	MODEL/RESTRICTION	MODEL/RESTRICTION	FROM-TO
51-161Z		LENS(L),RR.COMB.			
NA01-51-16XC	1				
51-164A		GASKET,RR.COMB.			
NA01-51-15B	2				
51-169A		PROTECTOR(L),'A'			
NA01-51-169	1				
51-172B		CAP			
G030-51-172	1				
51-569		CLIP			
NA01-51-569	8				
51-5H1		LENS & BODY(R),RR SIDE TURN			
NA01-51-5H1C	1				
51-5H2		SOCKET(R),RR SIDE TURN			
NA01-51-5H2A	1				
51-5J1A		LENS & BODY(L),RR SIDE TURN			
NA01-51-5J1C	1				
51-5J2		SOCKET(L),RR SIDE TURN			
NA01-51-5J2A	1				
51-550B		LAMP SET(R),SIDE TURN-RR			
8BN1-51-550	1				
51-550C		LAMP SET(L),SIDE TURN-RR			
8BN1-51-560	1				
51-580		LAMP,STOP-HI.MOUNT.			
NA01-51-580B	1				
NA12-51-580B AN(NA12-51-580C)	1				
NA12-51-580C	1				
51-582		GASKET,STOP LAMP-HI.MOUNT			
NA01-51-592B	1				
6C01 NA35*V-725591 6C10 NA35*V-726284					

-6C01  
6C01-6C10  
6C10-



AUNA06

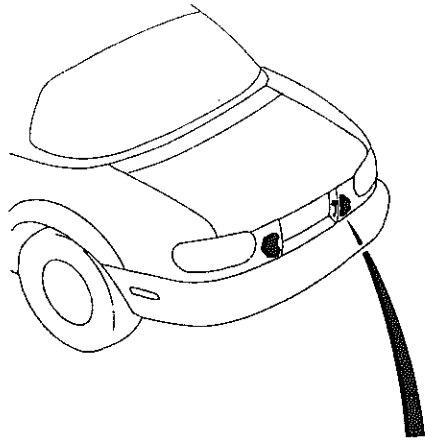
PART NO.	QTY	MODEL/RESTRICTION	MODEL/RESTRICTION	MODEL/RESTRICTION	FROM-TO
51-583		LENS, STOP LAMP-HI. MO			
NA01-51-58XA	1	UNT			-6C01
51-584		SOCKET, STOP LAMP-HI.			
BJ38-51-584	1	MOUNT			-6C01
NA12-51-584A	1				6C01-
6C01 NA35*V-725591					

CAT. AUNA06-03

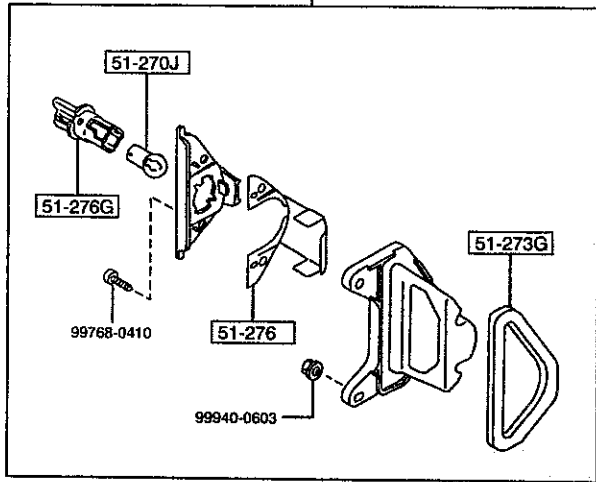
1998-07

5120 -1 \* LICENSE LAMPS

5120 LICENSE LAMPS

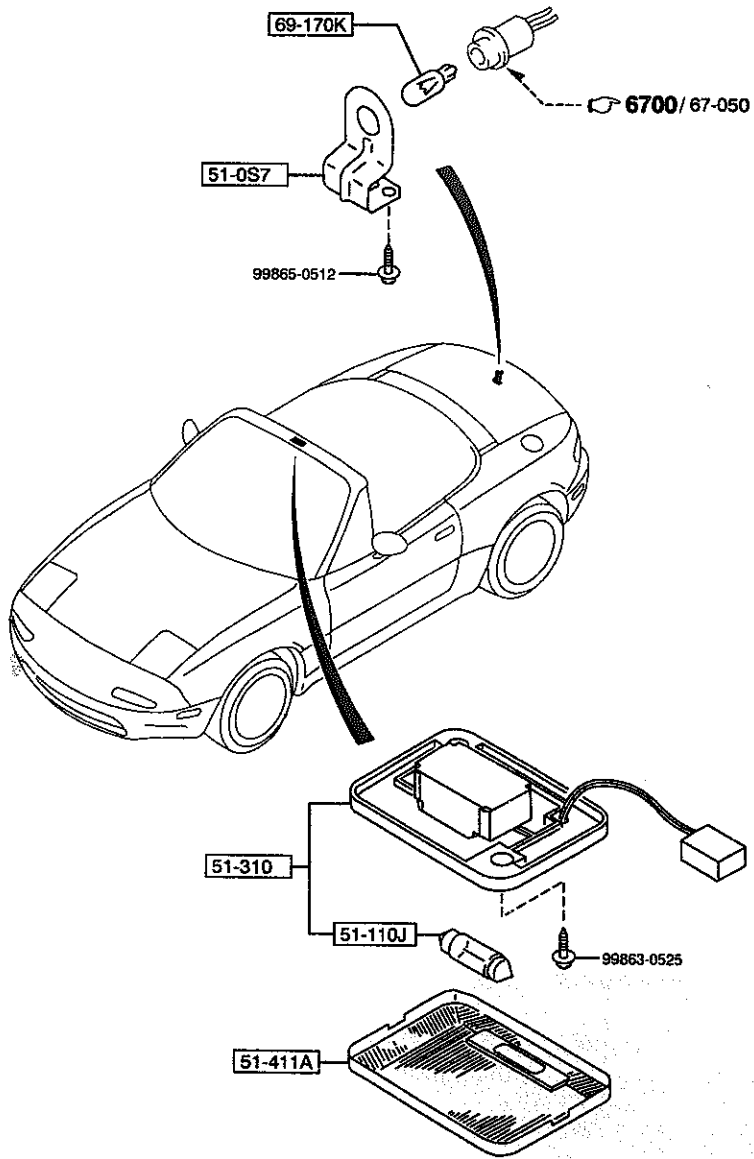


51-270



PART NO.	QTY	MODEL/RESTRICTION	MODEL/RESTRICTION	MODEL/RESTRICTION	FROM-TO
↑-----↑   51-270   ↑-----↑		LAMP,LICENSE			
8BF1-51-270	2				
↑-----↑   51-270J   ↑-----↑		BULB			
99701-2070	2	12V 7.5W			
↑-----↑   51-273G   ↑-----↑		GASKET,LICENSE LAMP			
FB67-51-273	2				
↑-----↑   51-276   ↑-----↑		SHADE,LAMP-LICENSE			
FB67-51-276	2				
↑-----↑   51-276G   ↑-----↑		SOCKET,LICENSE LAMP			
FB67-51-272	2				

5125 INTERIOR LAMPS



5125 -1 \* INTERIOR LAMPS

PART NO.	QTY	MODEL/RESTRICTION	MODEL/RESTRICTION	MODEL/RESTRICTION	FROM-TO
51-0S7		BRACKET, LAMP			
NB38-51-445A	1				
51-110J		BULB			
99700-5080	1	12V/8W			
51-310		LAMP, INTERIOR			
NB38-51-310A	1				
51-411A		LENS, ROOM LAMP			
NB38-51-311	1				
69-170K		BULB, INTERIOR MIRROR			
NB38-68-463	1				

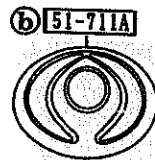
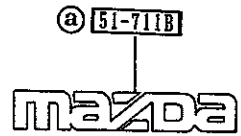
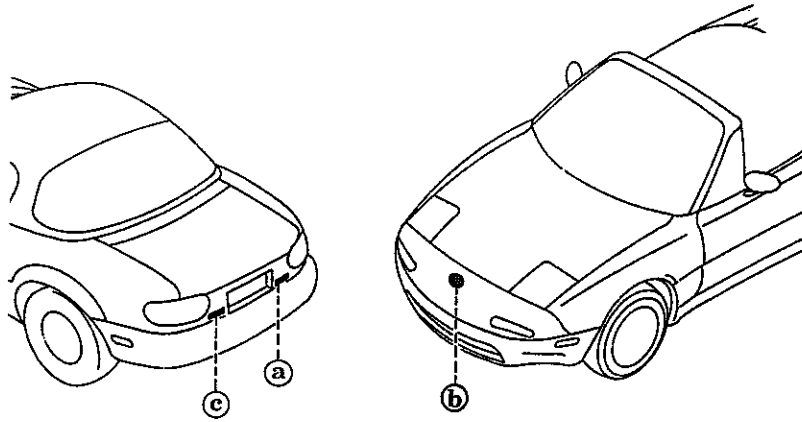
AUNA06

CAT. AUNA06-03

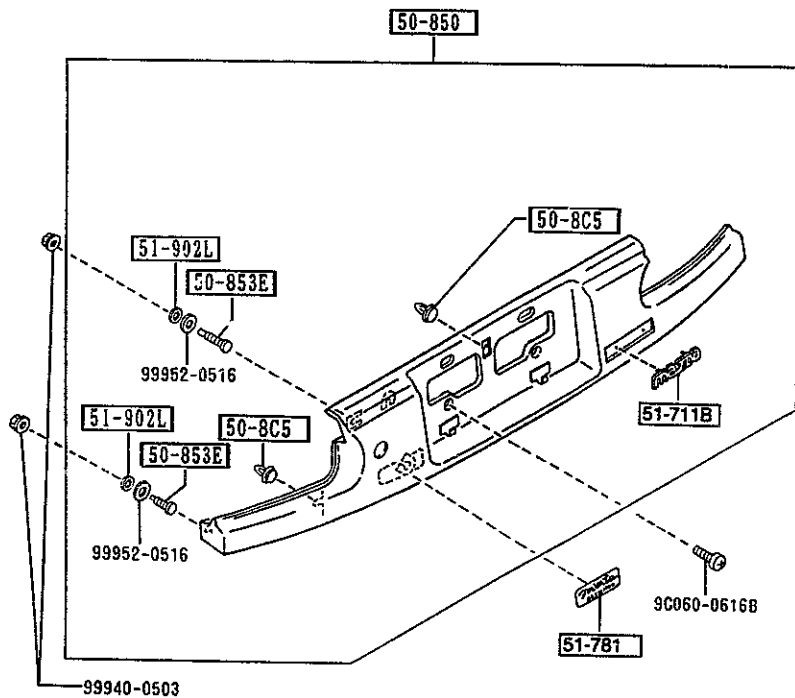
1998-07

5170 ORNAMENTS

5170 -1 \* ORNAMENTS



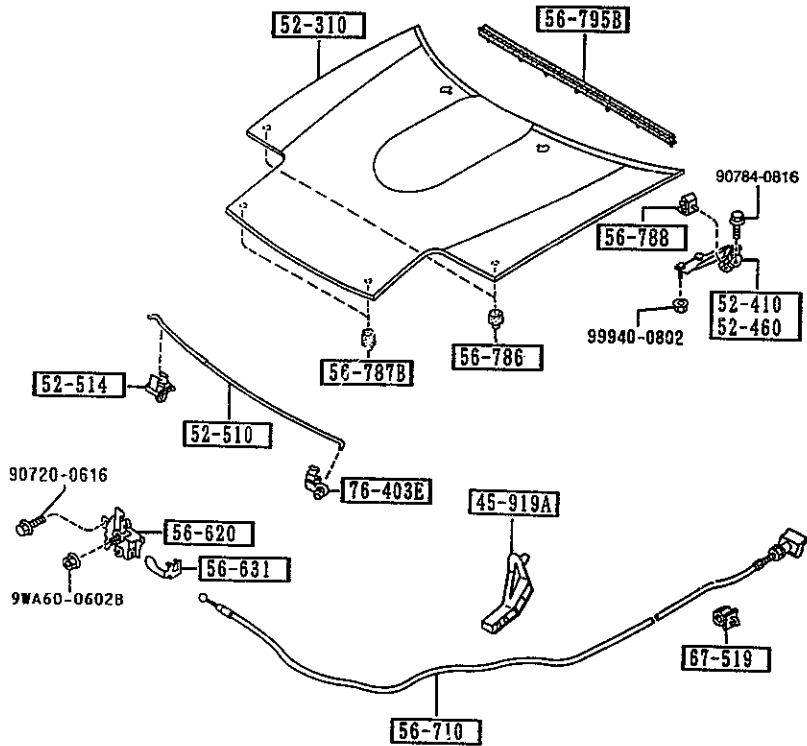
PART NO.	QTY	MODEL/RESTRICTION	MODEL/RESTRICTION	MODEL/RESTRICTION	FROM-TO
51-711A		ORNAMENT, FRONT			
BB1H-51-751	1				
51-711B		ORNAMENT, MAKER NAME-REAR			
NA01-51-711	1				
51-781		ORNAMENT, REAR			
NA01-51-721A	1				



5180 -1 \* REAR FINISHER

PART NO.	QTY	MODEL/RESTRICTION	MODEL/RESTRICTION	MODEL/RESTRICTION	FROM-TO
50-8C5		CLIP			
B467-50-8C5	3				
50-850		FINISHER, REAR			
NA01-50-8P0	1				-7301
A5	EXT-	A5 SATELLITE BLUE MC			
HU	EXT-	HU NED GREEN			
M8	EXT-	M8 MONTEGO BLUE M			
PT	EXT-	PT CHAST WHITE			
PZ	EXT-	PZ BRILLIANT BLACK			
SU	EXT-	SU CLASSIC RED			
23	EXT-	13C MARINA GREEN MC			
57	EXT-	12K TWILIGHT BLUE			
NA01-50-8P0A	1				7301-
A5	EXT-	A5 SATELLITE BLUE MC			
HU	EXT-	HU NED GREEN			
M8	EXT-	M8 MONTEGO BLUE M			
PT	EXT-	PT CHAST WHITE			
PZ	EXT-	PZ BRILLIANT BLACK			
SU	EXT-	SU CLASSIC RED			
23	EXT-	13C MARINA GREEN MC			
57	EXT-	12K TWILIGHT BLUE			
50-853E		BOLT, GARNISH-RR			
LA01-50-853	4				
51-711B		ORNAMENT, MAKER NAME-REAR			
NA01-51-711	1				
51-781		ORNAMENT, REAR			
NA01-51-721A	1				
51-902L		GASKET			
G030-51-914	4				

7301 NA35\*V-732210



AUNA06

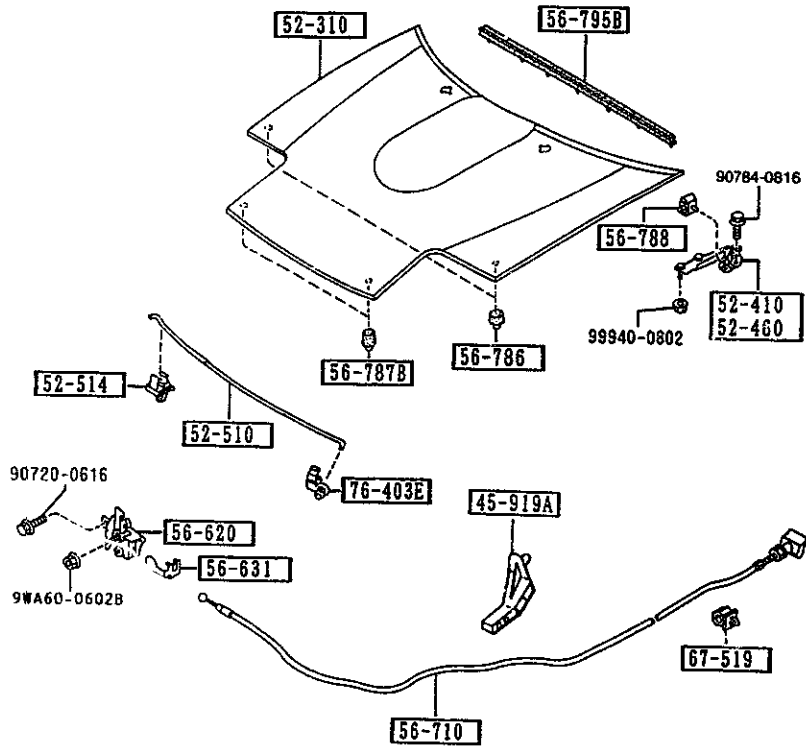
PART NO.	QTY	MODEL/RESTRICTION	MODEL/RESTRICTION	MODEL/RESTRICTION	FROM-TO
45-919A		HOLDER, PIPE			
H115-45-916A	1				
52-310		BONNET			
NAV1-52-310B	1				
52-410		HINGE(R), BONNET			-7901
NA01-52-410A A (NA01-52-410B)	1				
*NA01-52-410B	1				7901-
52-460		HINGE(L), BONNET			-7901
NA01-52-420A A (NA01-52-420B)	1				
*NA01-52-420B	1				7901-
52-510		STAY, BONNET			
NA75-56-650A	1				
52-514		HOLDER, ROD			
G030-56-693A	1				
56-620		LOCK, BONNET			
NA01-56-620B	1				
56-631		FASTENER, BONNET RELEASE			
LA01-56-631	1				
56-710		WIRE, RELEASE-BONNET			
NA01-56-720D	1				
56-786		RUBBER(C), CUSHION-BONNET			
NA01-56-787	2				
56-787B		RUBBER, CUSHION-BONNET FRT			
FB01-56-787B	2				
56-788		RUBBER, CUSHION-BONNET RR			
NA01-56-78X	2				
56-795B		WEATHERSTRIP, BONNET-REAR			
7901 NA35*V-739040					

CAT. AUNA06-03

1998-07

5230 BONNET

5230 -2 \* BONNET



PART NO.	QTY	MODEL/RESTRICTION	MODEL/RESTRICTION	MODEL/RESTRICTION	FROM-TO
CONT'D					
NAB1-56-760	1				
-----+-----					
67-519		CLIP,PIPE			
-----+-----					
6030-67-519	1				
-----+-----					
76-403E		HOLDER,RCD			
-----+-----					
8092-52-518	1				

AUNA06

CAT. AUNA06-03

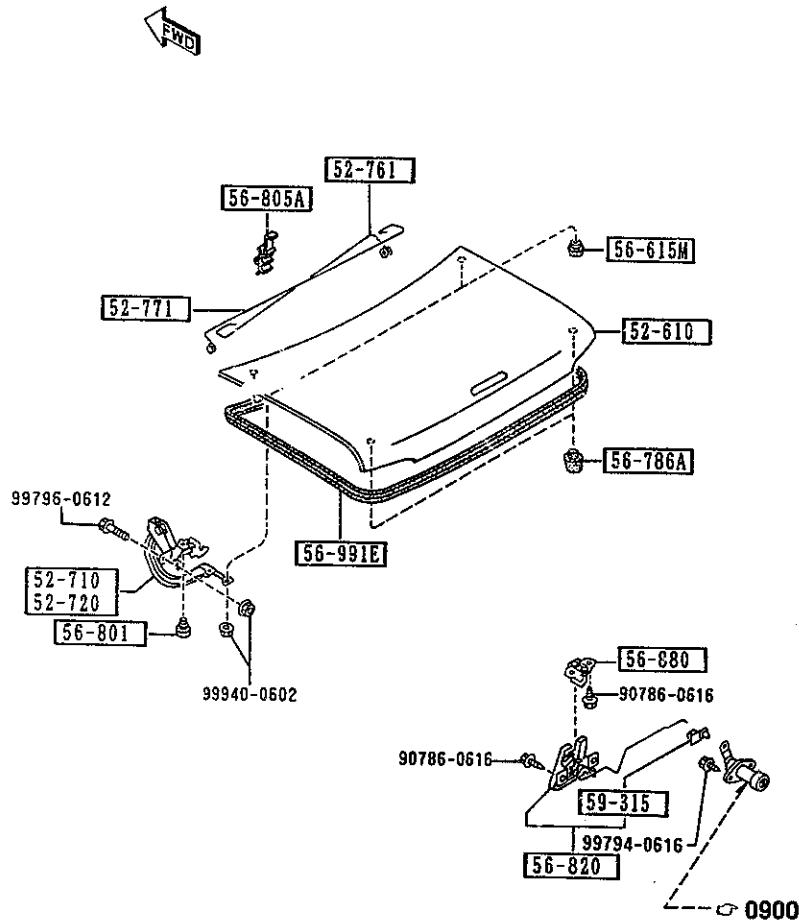
1998-07

2-N11



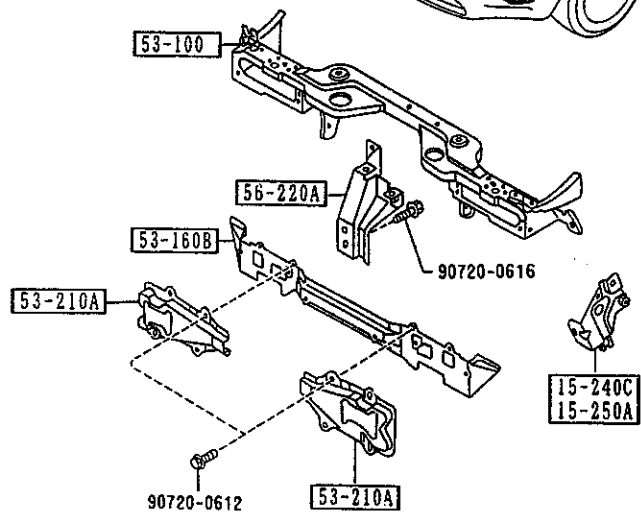
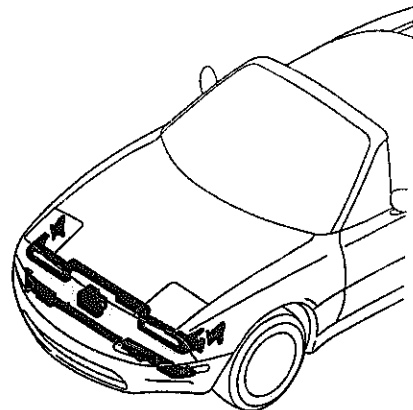
5260 TRUNK LID

5260 -1 \* TRUNK LID



PART NO.	QTY	MODEL/RESTRICTION	MODEL/RESTRICTION	MODEL/RESTRICTION	FROM-TO
52-610		LID, TRUNK			
NAY1-52-610C	1				
52-710		HINGE(R), TRUNK LID			
NA01-52-710B A (NA01-52-710C)	1				-7701
*NA01-52-710C	1				7701-
52-720		HINGE(L), TRUNK LID			
NA01-52-720B	1				
52-761		SPRING(R), BALANCE			
NA01-52-791A	1				
52-771		SPRING(L), BALANCE			
NA01-52-792A	1				
56-615M		PLUG, DRAIN			
NA01-56-051	2				
56-786A		RUBBER, CUSHION			
B481-56-786	2				
56-801		CUSHION, LID HINGE			
NA01-56-802	2				
56-805A		HOLDER, BALANCE SPRING			
NA01-56-805	1				
56-820		LOCK, LID			
NB3B-56-820	1				
56-880		STRIKER, LID			
NA01-56-840	1				
56-991E		WEATHERSTRIP, LID			
NA01-56-951	1				
59-315		CLIP			
G030-59-315	1				
7701 NA35*V-738443					

5310 FRONT PANELS

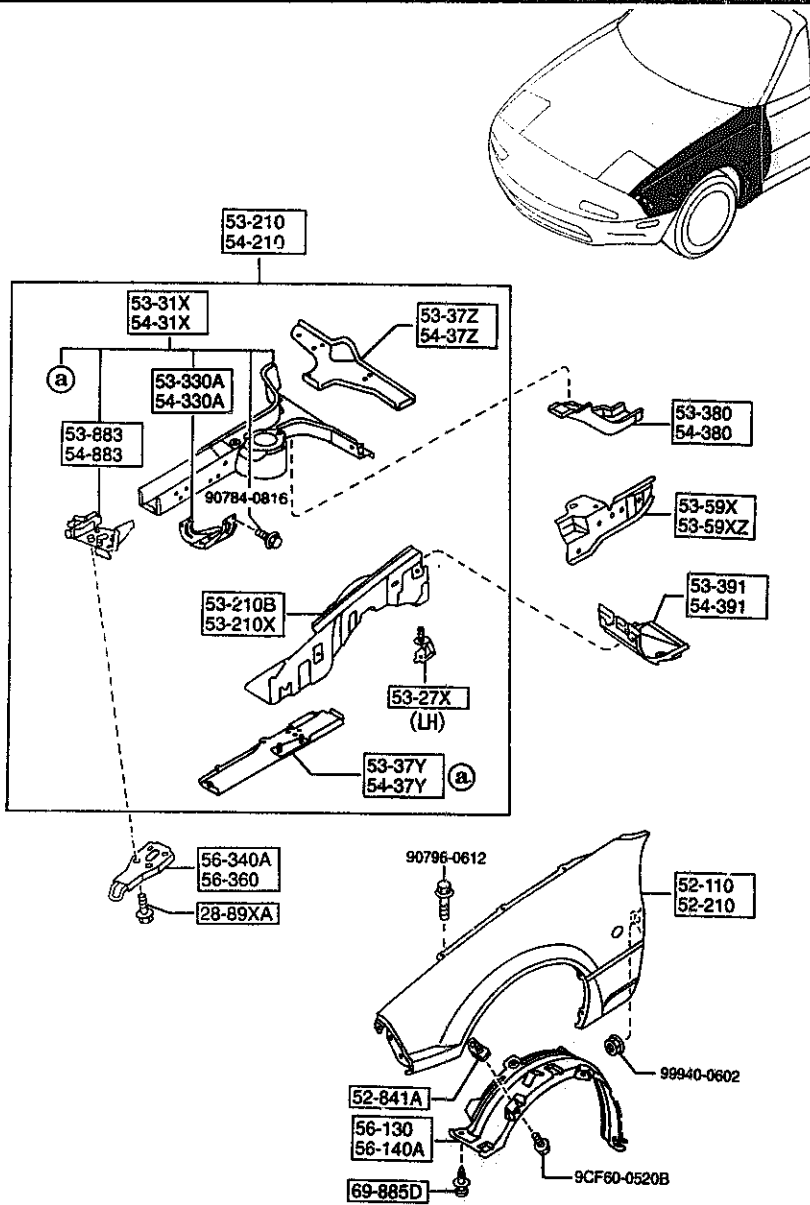


5310 -1 \* FRONT PANELS

PART NO.	QTY	MODEL/RESTRICTION	MODEL/RESTRICTION	MODEL/RESTRICTION	FROM-TO
15-240C B61P-15-240A	1	BRACKET(R),RADIATOR			
15-250A B61P-15-250A	1	BRACKET(L),RADIATOR			
53-100 NA75-53-100	1	PANEL,RAD.SHROUD			
53-160B NA01-53-16XC	1	MEMBER,CROSS			
53-210A NA01-54-180	2	BRACKET,BUMPER			
56-220A NA01-56-221B	1	STAY,LOCK-BONNET			

5320 FENDER & WHEEL APRON PANELS

5320 -1 FENDER & WHEEL APRON PANELS

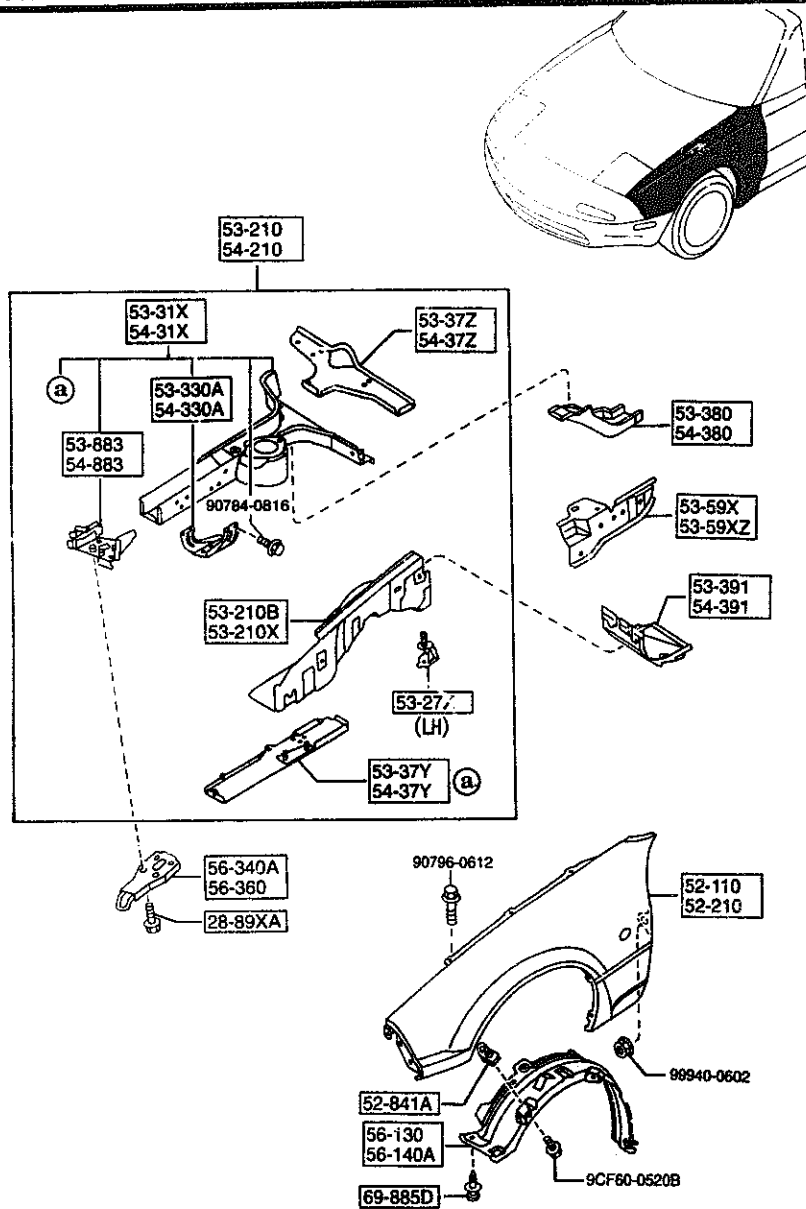


PART NO.	QTY	MODEL/RESTRICTION	MODEL/RESTRICTION	MODEL/RESTRICTION	FP09-10
28-89XA		BOLT, CROSS MEMBER			
GJ21-28-89X	6				
52-110		PANEL(R), FENDER-FRT.			
NAV1-52-110	1				
52-210		PANEL(L), FENDER-FRT.			
NAV1-52-210	1				
52-841A		NUT, CLIP			
LA01-56-135	10				
53-210		PANEL(R), APRON & FRAME			
NAVZ-53-200	1				
53-210B		PANEL(R), WHEEL APRON			
NA01-53-210E	1				
53-210X		PANEL(L), WHEEL APRON			
NA01-54-210F	1				
53-27X		BRKT, AIR CLNR-WHL APRON			
NA01-54-36X	1				
53-31X		FRAME(R), FRONT			
NA75-53-31XA A (NA75-53-31XE)	1				
*NA75-53-31XE	1				
53-330A		BRACKET(R), STABILIZER			
NA01-53-330	1				
53-37Y		FRAME(UP., R), FRONT-FRT			
NA01-53-37Y	1				
53-37Z		FRAME(UP., R), FRONT-REAR			
NA01-53-37ZB	1				
53-380		REINFORCEMENT(R)			
NA01-53-380	1				
7A01 NA35*V-739048					

-7A01

7A01-

5320 FENDER & WHEEL APRON PANELS

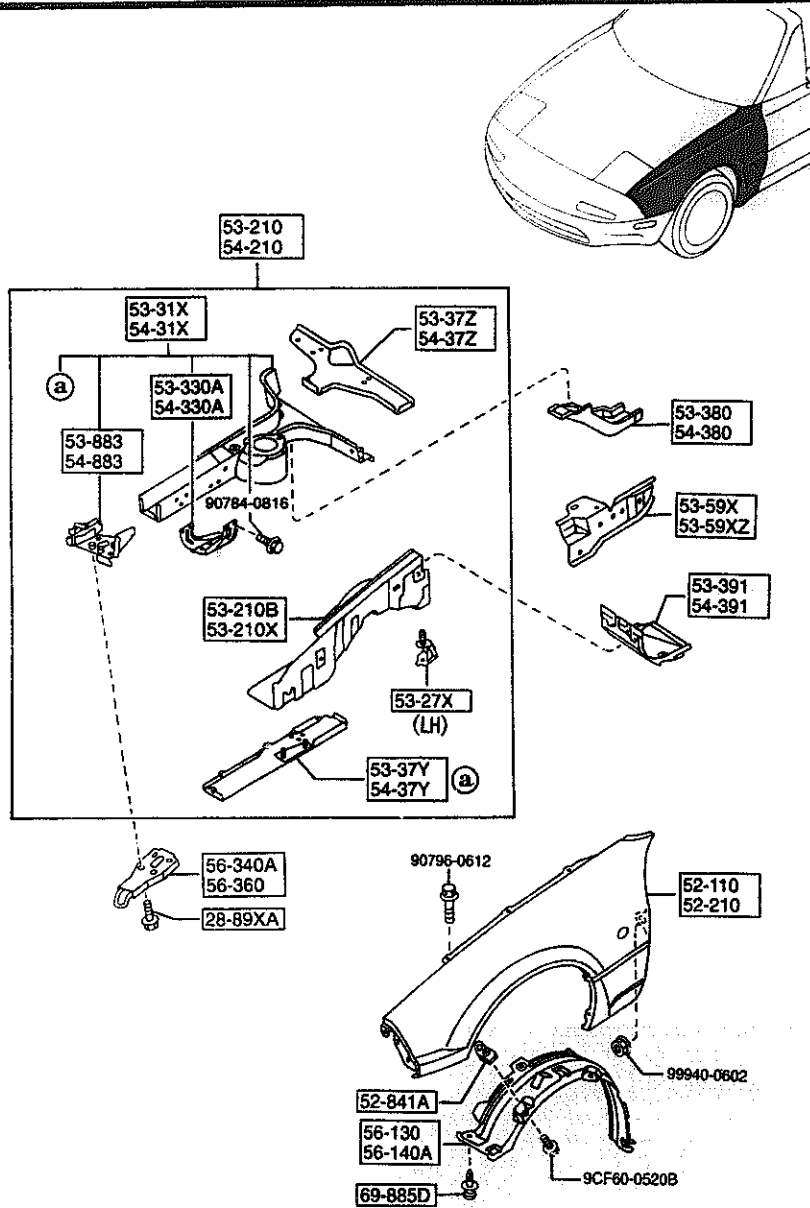


5320 -2 FENDER & WHEEL APRON PANELS

PART NO	QTY	MODEL/RESTRICTION	MODEL/RESTRICTION	MODEL/RESTRICTION	FORM 10
53-391		BOX(R),TORQUE			
NA01-53-391	1				
53-59X		REINF.(R),WHEEL APRON			
NA01-53-591	1				
53-59XZ		REINF.(L),WHEEL APRON			
NA01-54-590	1				
53-883		REINF.(R),TIE DOWN HOOK			
NA01-53-32XB	1				
54-210		PANEL(L),APRON & FRAME			
MAY2-54-200	1				
54-31X		FRAME(L),FRONT			
NA75-54-31XA A (NA75-54-31XE)	1				-7A01
*NA75-54-31XE	1				7A01-
54-330A		BRACKET(L),STABILIZER			
NA01-54-330	1				
54-37Y		FRAME(UP.,L),FRONT-FRT			
NA01-54-37Y	1				
54-37Z		FRAME(UP.L),FRONT-REAR			
NA01-54-37ZB	1				
54-380		FRAME(L),FRONT-REAR			
NA01-54-380B	1				
54-391		BOX(L),TORQUE			
NA01-54-391	1				
54-883		REINF.(L),TIE DOWN HOOK			
NA01-54-32XC	1				
56-130		GUARD(R),MUD			
NA01-56-131A	1				
7A01 NA35*V-739048					

5320 FENDER & WHEEL APRON PANELS

5320 -3 \* FENDER & WHEEL APRON PANELS



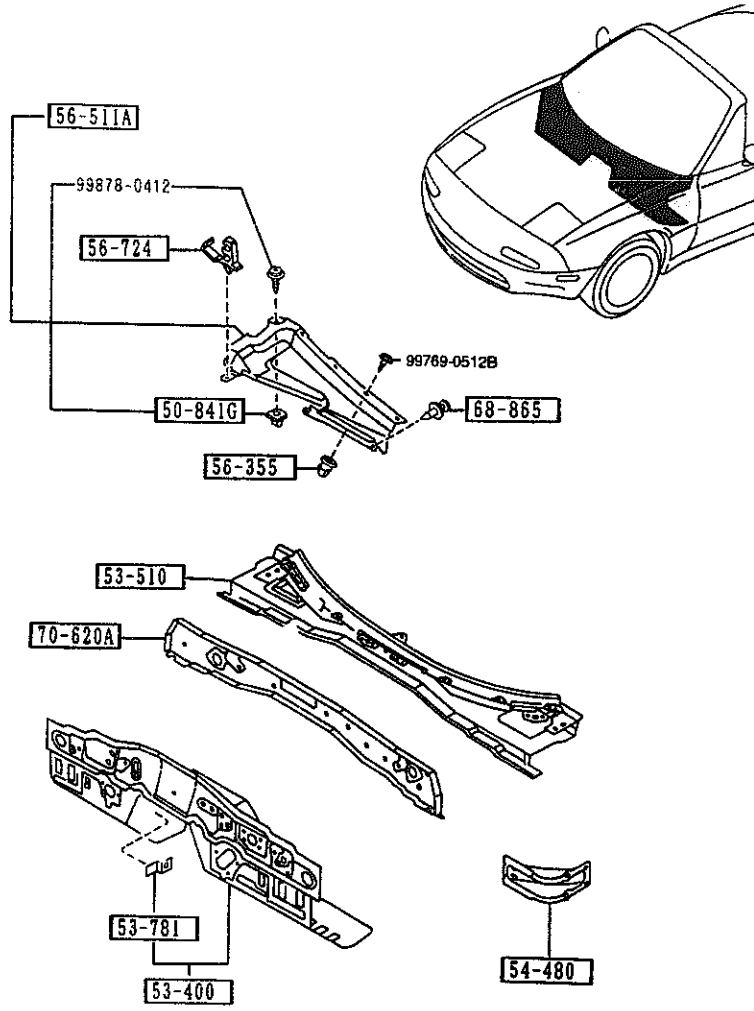
PART NO.	QTY	MODEL/RESTRICTION	MODEL/RESTRICTION	MODEL/RESTRICTION	FRGM LG
56-140A		GUARD(L),MUD			
NA01-56-141C	1				
56-340A		HOOK(R),TIE DOWN-FRONT			
NA01-56-34XC	1				
56-360		HOOK(L),TIE DOWN-FRONT			
NA01-56-34YC	1				
69-885D		FASTENER			
NA01-56-145	10				

AUNA06

CAT. AUNA06-03

1998-07

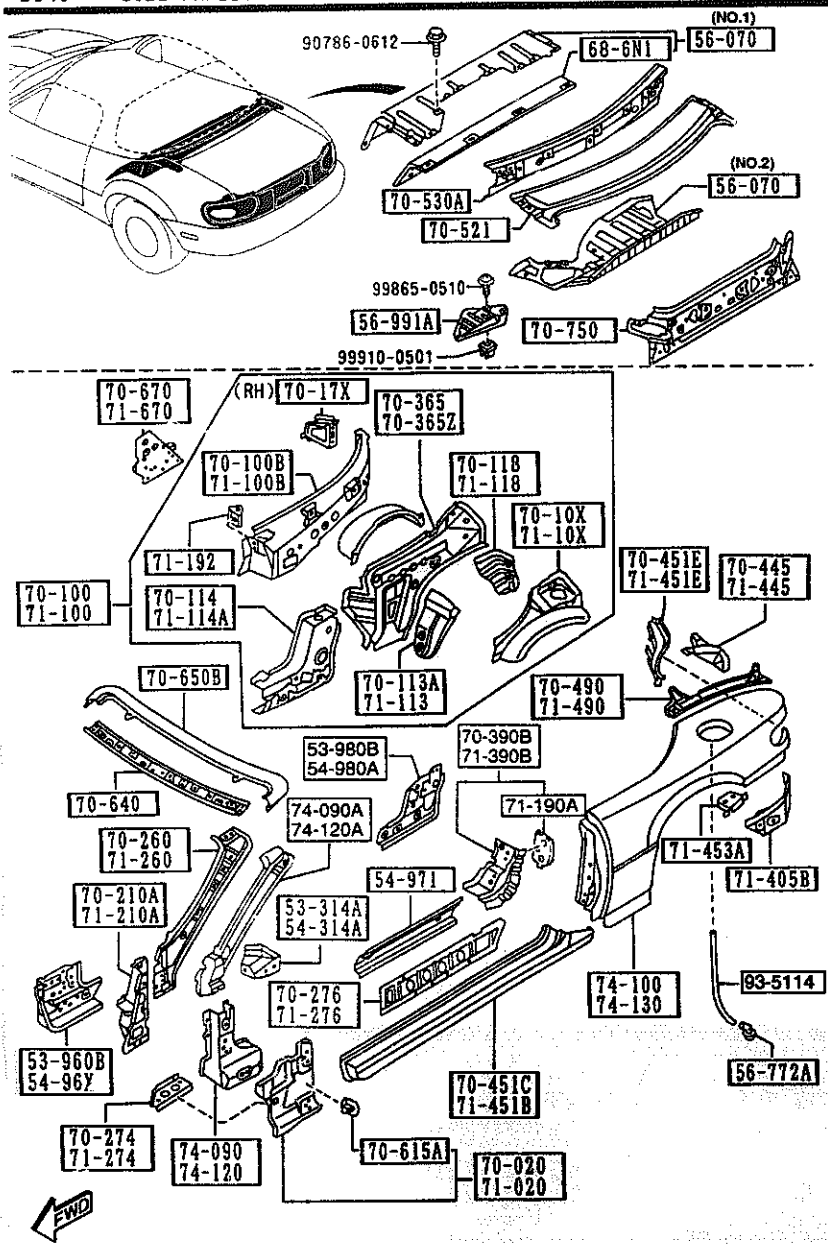
5330 DASH & COWL PANELS



5330 -1 \* DASH & COWL PANELS

PART NO.	QTY	MODEL/RESTRICTION	MODEL/RESTRICTION	MODEL/RESTRICTION	FROM-TO
50-841G	1	GROMMET, SCREW			
F044-51-912	1				
53-400	1	PANEL, DASH-LOWER			-7401
NA01-54-400G AN(NA01-54-400J)	1				7401-
*NA01-54-400J	1				
53-510	1	PANEL, DASH-UPPER			-7401
NA75-53-510A AN(NA75-53-510B)	1				7401-7801
NA75-53-510B AN(NA75-53-510C)	1				7801-
*NA75-53-510C	1				
53-781	1	BRACKET, GRILLE-C			
0305-53-781A	1				
54-480	2	JUNCTION, DASH SIDE-S SILL			-7601
NA01-54-480 A (NA01-54-480B)	2				7601-
*NA01-54-480B	2				
56-355	4	GROMMET, SCREW-BAFFLE			
G211-56-355A	4				
56-511A	1	COVER, BAFFLE-COWL PA NEL			
NA01-56-35X	1				
56-724	1	CLIP *B*, WIRE-BONNET			
H260-56-724	1				
68-865	2	FASTENER			
B040-68-865A	2				
00	INT-	NA3 NA5 BLACK			
70-620A	1	PANEL, COWL-FRONT			-7601
NA01-70-62YB AN(NA01-70-62YC)	1				7601-
NA01-70-62YC	1				
7401 NA35*V-734532 7601 NA35*V-737527 7801 NA35*V-739024					

5340 SIDE PANELS



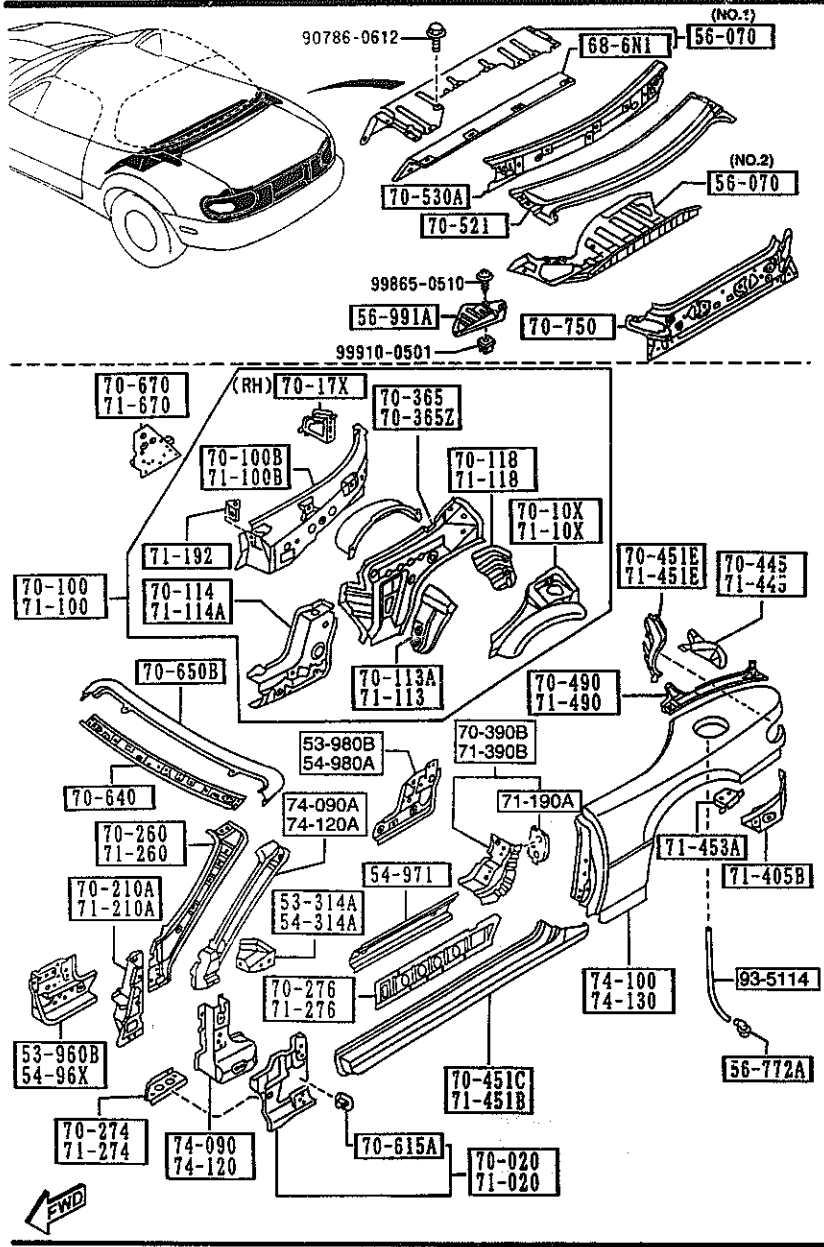
PART NO.	QTY	MODEL/RESTRICTION	MODEL/RESTRICTION	MODEL/RESTRICTION	FIG. NO.
53-314A		BRACKET(R), INST.			
NA01-70-071A	1				
53-960B		SILL(FRT.R), SIDE-INNER			
NA01-53-960C	1				
53-980B		SILL(RR.R), SIDE-INNER			-7A06
NA01-53-980C AN(NA01-53-980D)	1				
*NA01-53-980D	1				7A06-
54-314A		BRACKET(L), INST.			
NA01-71-071A	1				
54-96X		SILL(FRT.L), SIDE-INNER			
NA01-54-96XB	1				
54-971		SILL(C), SIDE-INNER			-7601
NA01-54-971A AN(NA01-54-971B)	2				
*NA01-54-971B	2				7601-
54-980A		SILL(RR.L), SIDE-INNER			-7A06
NA01-54-980C AN(NA01-54-980D)	1				
*NA01-54-980D	1				7A06-
56-070		PANEL, BULK HEAD			
NA01-56-39YA	1	(ILLUST. NO.1)			
NA01-70-51Y	1	(ILLUST. NO.2)			
56-772A		PIPE, DRAIN-RR FENDER			
NA01-56-772	1				
56-991A		COVER, SERVICE HOLE			
NA01-56-971	1				
68-6N1		INSULATOR, BULK HEAD PANEL			
NA01-68-6N1	1				
70-020		PANEL(R), COWL SIDE			
7601 NA35*V-737527					
7A06 NA35*V-739049					

AUNA06

CAT. AUNA06-03

1998-07

5340 SIDE PANELS



5340 -2 SIDE PANELS

PART NO.	QTY	MODEL/RESTRICTION	MODEL/RESTRICTION	MODEL/RESTRICTION	FROM-TO
CONT'D					
NA01-70-020B	1				
70-10X		PANEL(R), QUARTER			
NA01-70-111C	1				
70-100		PANEL(R), QUARTER			
NA75-70-100	1				
70-100B		PANEL(R), INSIDE			
NA01-70-19XB	1				-7407
A (NA01-70-19XC)					7407-7624
*NA01-70-19XC	1				7624-
A (NA01-70-19XE)					
*NA01-70-19XE	1				
70-113A		PLATE(R), SEAL			
NA01-70-11Z	1				
70-114		PLATE(R), END			
NA01-70-12XA	1				
70-118		PROTECTOR(R), SPLASH			
NA01-70-15X	1				
70-17X		BRKT, BATT. CLAMP-QTR			
NA01-70-17XA	1	PANEL			
70-210A		PILLAR(R), HINGE			
NA01-70-230	1				-7401
AN(NA01-70-230A)					7401-7917
NA01-70-230A	1				7917-7926
AN(NA01-70-230B)					7926-
*NA01-70-230B	1				
AN(NA01-70-230C)					
*NA01-70-230C	1				
70-260		PILLAR(R), FRT. -INNER			
NA01-70-240B	1				-7702
A (NA01-70-240D)					7702-
*NA01-70-240D	1				
70-274		GUSSET(R), SIDE SILL			
OUTER					
7401 NA35*V-734532					
7407 NA35*V-734849					
7624 NA35*V-738232					
7702 NA35*V-738476					
7917 NA35*V-739046					
7926 NA35*V-739048					

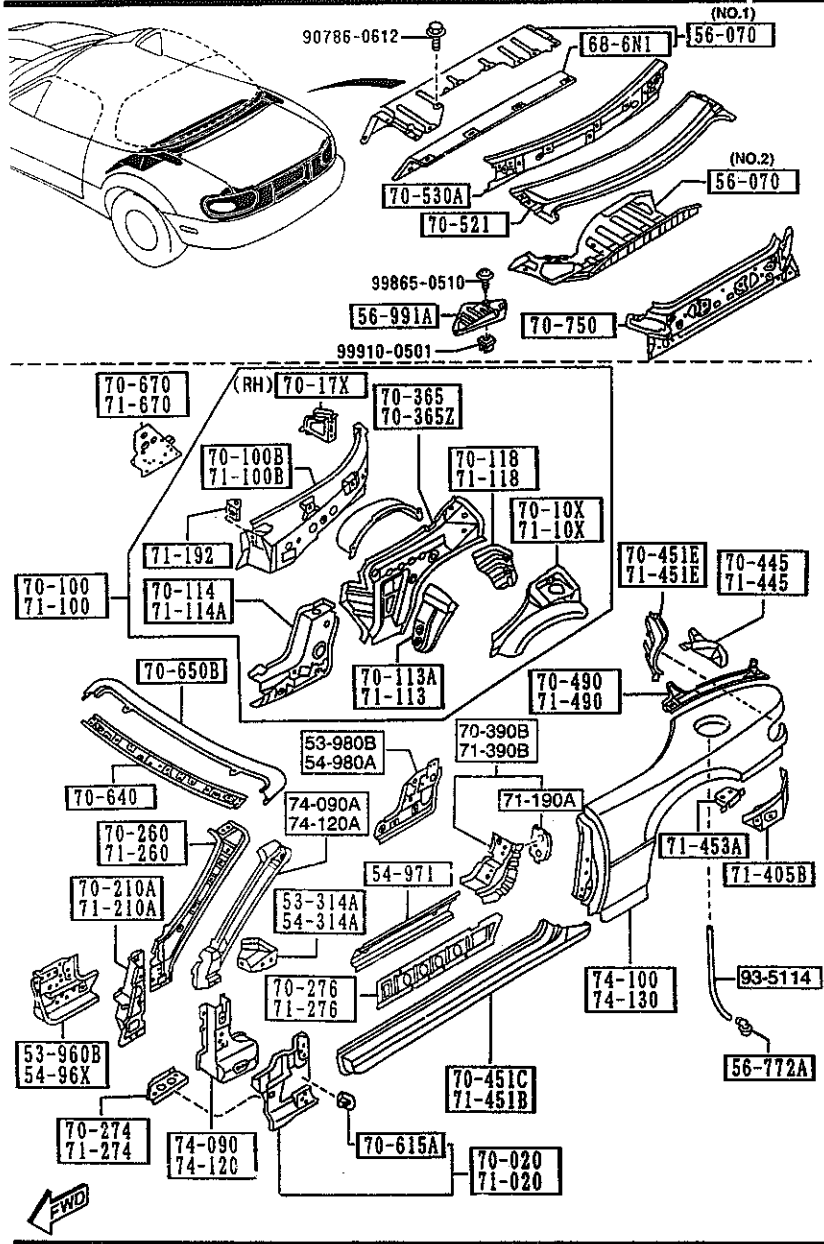
AUNA06

CAT. AUNA06-03

1998-07



5340 SIDE PANELS



5340 -3 SIDE PANELS

PART NO.	QTY	MODEL/RESTRICTION	MODEL/RESTRICTION	MODEL/RESTRICTION	FFOY-FO
CONT'D					
NA01-70-274	1				
-----+-----					
70-276		REINF.(R),SIDE SILL			
-----+-----					
NA01-70-275	1				
-----+-----					
70-365		REINF.(R),BELT LINE-C.PIL			
-----+-----					
NA01-70-116B	1				-7325
A (NA01-70-116C)					
NA01-70-116C	1				7325-
-----+-----					
70-365Z		REINF.(L),BELT LINE-C.PIL			
-----+-----					
NA01-71-116D	1				-7325
A (NA01-71-116E)					
NA01-71-116E	1				7325-
-----+-----					
70-390B		REINF.(R),STRIKER			
-----+-----					
NA01-70-460	1				
-----+-----					
70-445		GUSSET(R),REAR FENDE			
-----+-----		R-RR			
NA01-70-445	1				
-----+-----					
70-451C		SILL(R),SIDE OUT.			
-----+-----					
NA01-70-270B	1				
-----+-----					
70-451E		HOUSING(R),LAMP-RR F			
-----+-----		ENDER			
NA01-70-J30	1				
-----+-----					
70-490		RAIL(R),RAIN-REAR			
-----+-----					
NA01-70-440A	1				
-----+-----					
70-521		PANEL,REAR DECK			
-----+-----					
NA01-70-521A	1				
-----+-----					
70-530A		MEMBER,REAR DECK			
-----+-----					
NA01-70-530B	1				-7801
AN(NA01-70-530C)					
*NA01-70-530C	1				7801-7923
AN(NA01-70-530D)					
*NA01-70-530D	1				7923-
-----+-----					
70-615A		BRACKET,FENDER			
-----+-----					
B092-70-070A	2				
7325 NA35*V-733908					
7801 NA35*V-739024					
7923 NA35*V-739048					

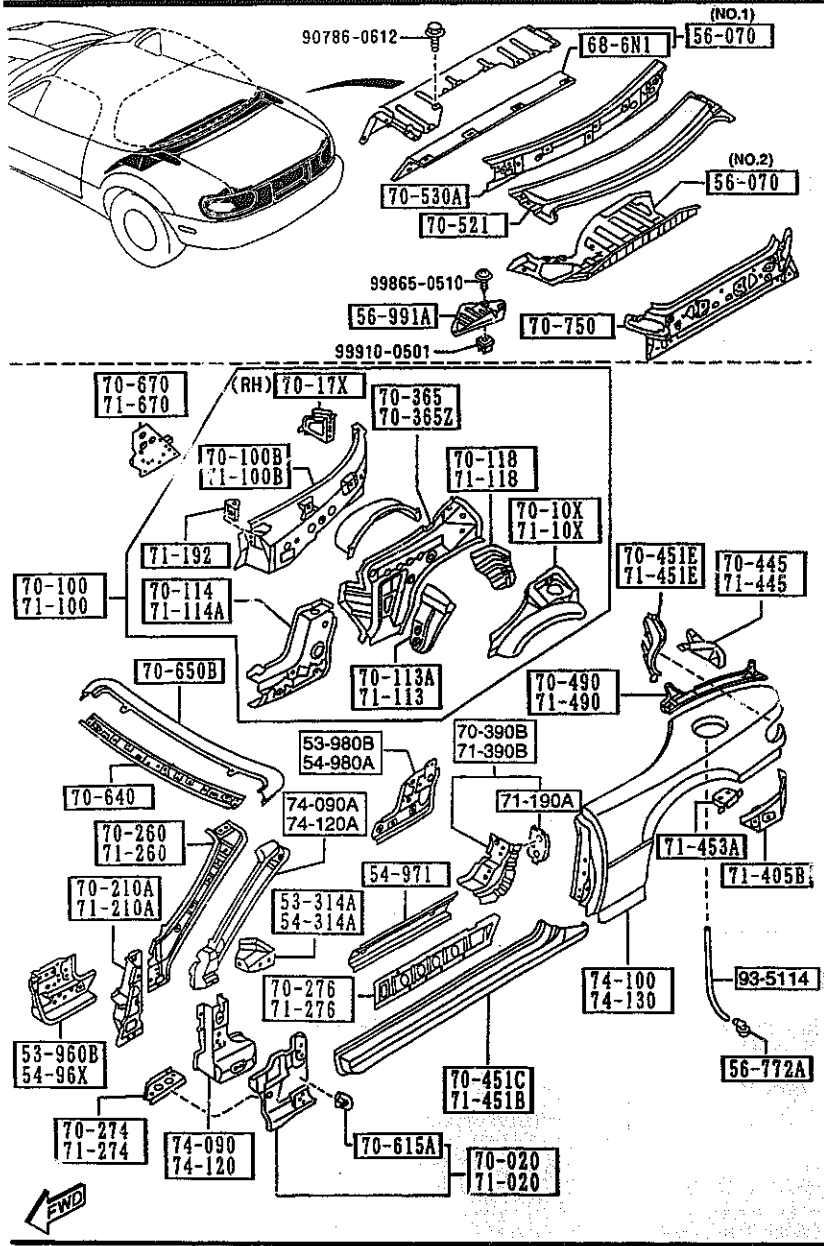
AUNA06

CAT. AUNA06-03

1998-07

2-K12

5340 SIDE PANELS



5340 -4 SIDE PANELS

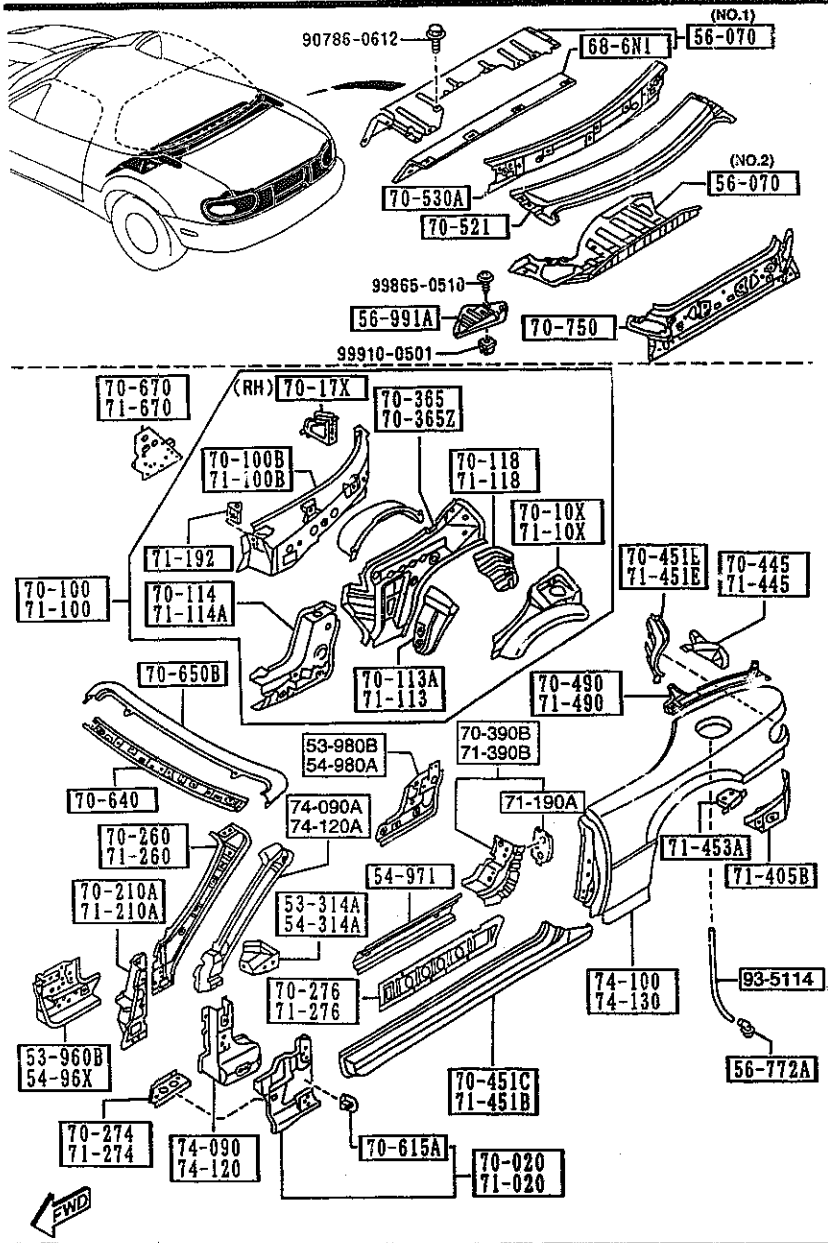
PART NO.	QTY	MODEL/RESTRICTION	MODEL/RESTRICTION	MODEL/RESTRICTION	FROM-TO
70-640	1	HEADER, FRONT			-7601
NB38-70-640 AN(NB38-70-640A)	1				7601-
70-650B	1	HEADER, FRONT-UPPER			
NA01-70-650	1				
70-670	1	PLATE(R), CLOSING-QTR PANEL			-7701
NA01-70-670 A (NA01-70-670B)	1				7701-7A01
*NA01-70-670B	1				7A01-
*NA01-70-670C	1				
70-750	1	PANEL, REAR END			
NA01-70-750G	1				
71-020	1	PANEL(L), COWL SIDE			
NA01-71-020B	1				
71-10X	1	PANEL(L), QUARTER			
NA01-71-11XB	1				
71-100	1	PANEL(L), QUARTER			
NA75-71-100	1				
71-109B	1	PANEL(L), INSIDE			-7407
NA01-71-19XB A (NA01-71-19XC)	1				7407-7624
*NA01-71-19XC A (NA01-71-19XE)	1				7624-
*NA01-71-19XE	1				
71-113	1	PLATE(L), SEAL			
NA01-71-112	1				
71-114A	1	JUNCTION(L), CORNER-Q /PANE			
NA01-71-12XA	1				
71-118	1	PROTECTOR(L), SPLASH			
NA01-71-15XA	1				
7407 NA35*V-734849					
7401 NA35*V-737527					
7624 NA35*V-738232					
7701 NA35*V-738443					
7A01 NA35*V-739048					

AUNA06

CAT. AUNA06-03

1998-07

5340 SIDE PANELS



5340 -5 SIDE PANELS

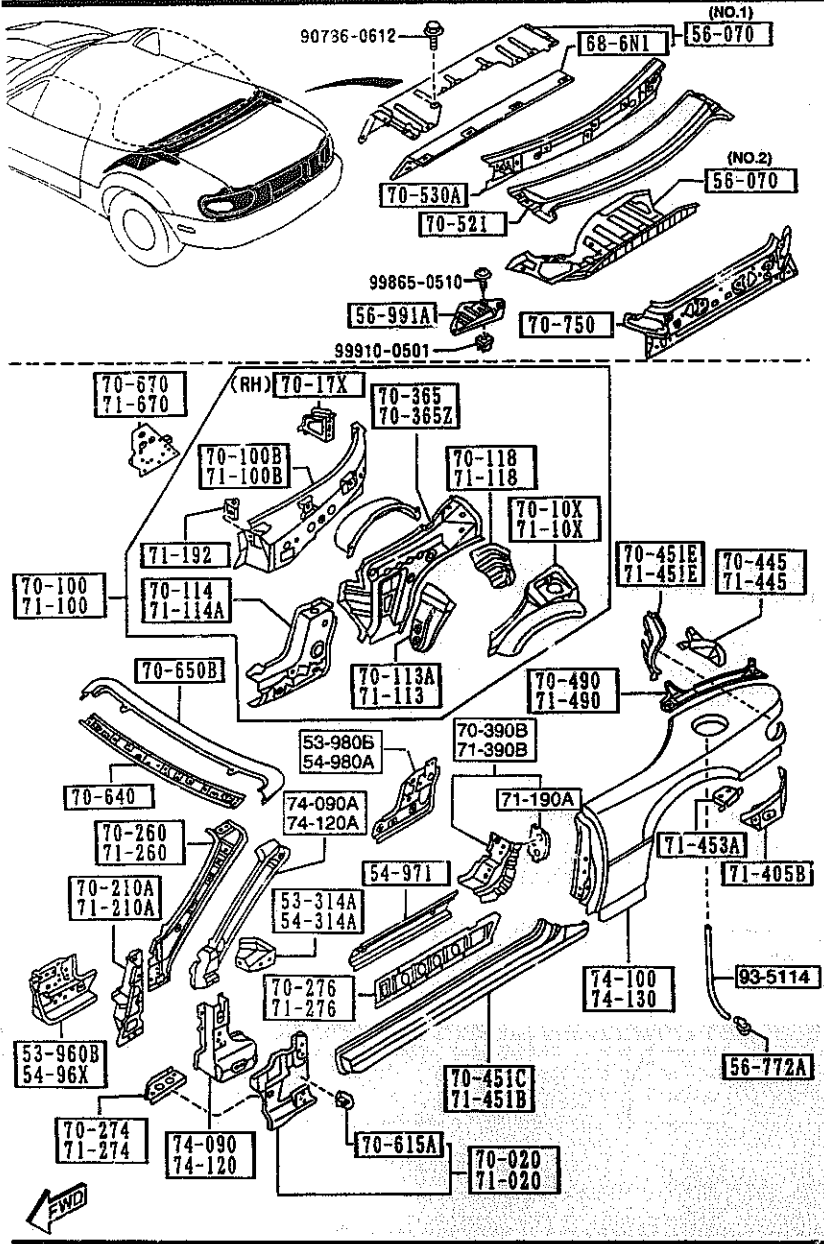
PART NO	QTY	MODEL/RESTRICTION	MODEL/RESTRICTION	MODEL/RESTRICTION	FROM-TO
71-190A		PLATE,NUT			
*B001-70-490	2				
71-192		BRKT,CAP-QUARTER PANEL			
NA01-71-192	2				
71-210A		PILLAR(L),HINGE			
NA01-71-230	1				-7401
AN(NA01-71-230A)					
NA01-71-230A	1				7401-7917
AN(NA01-71-230B)					
*NA01-71-230B	1				7917-7924
AN(NA01-71-230C)					
*NA01-71-230C	1				7924-
71-260		PILLAR(L),FRT.-INNER			
NA01-71-240C	1				-7702
A (NA01-71-240D)					
*NA01-71-240D	1				7702-
71-274		GUSSET(L),SIDE SILL OUTER			
NA01-71-274	1				
71-276		REINF.(L),SIDE SILL			
NA01-71-275	1				
71-390B		REINF.(L),STRIKER			
NA01-71-460	1				
71-405B		PANEL(L),RR FENDER-LOWER			
NA01-71-421	1				
71-445		GUSSET(L),REAR FENDER-RR			
NA01-71-445	1				
71-451B		SILL(L),SIDE OUT.			
NA01-71-270B	1				
71-451E		HOUSING(L),LAMP-RR FENDER			
NA01-71-J30	1				
7401 NA35*V-734532 7702 NA35*V-738476 7917 NA35*V-739046 7924 NA35*V-739048					

AUNA06

CAT. AUNA06-03

1998-07

5340 SIDE PANELS



AUNA06

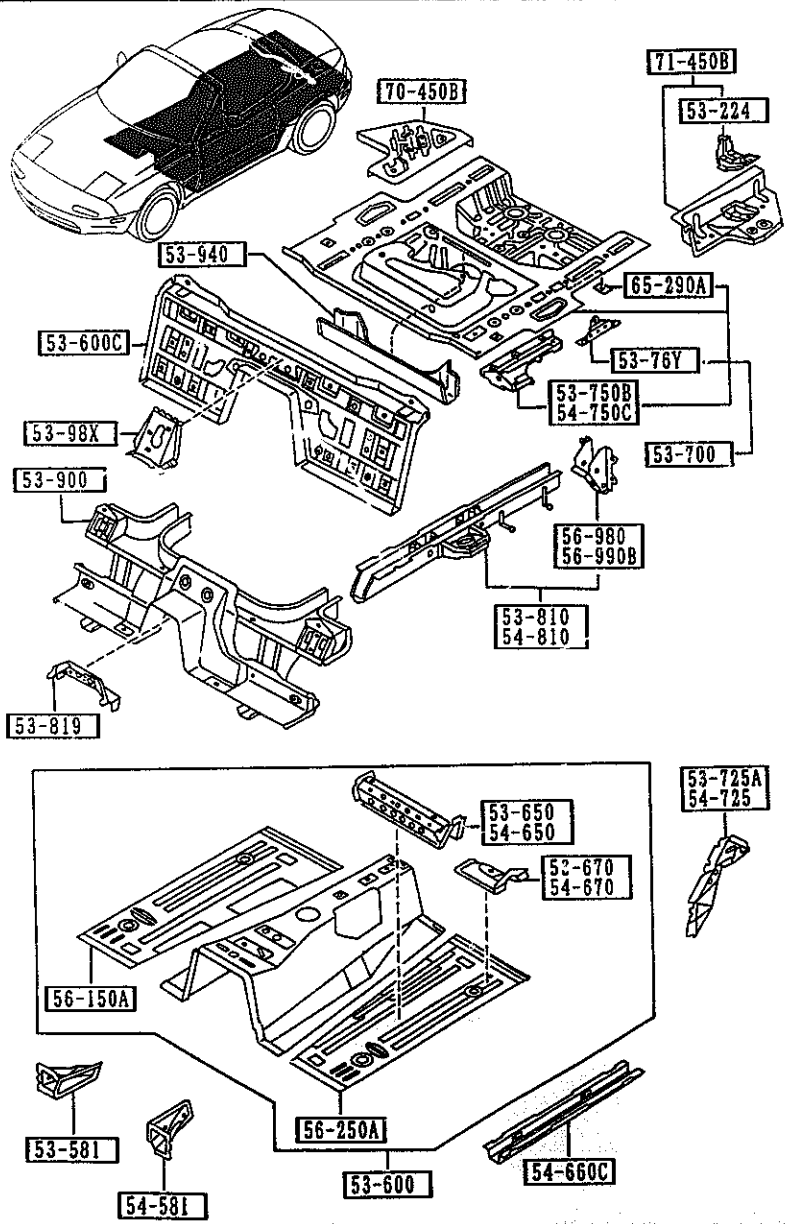
5340 -6 \* SIDE PANELS

PART NO.	QTY	MODEL/RESTRICTION	MODEL/RESTRICTION	MODEL/RESTRICTION	FROM-TO
71-453A	1	BRKT(L),TRK. BOARD-FE			
NA01-71-453	1	NDER			
71-490	1	RAIL(L),RAIN-REAR			
NA01-71-440A	1				
71-670	1	PLATE(L),CLOSING-QTR			
NA01-71-670B	1	PANEL			
A (NA01-71-670C)	1				-7701
*NA01-71-670C	1				7701-7A01
*NA01-71-670D	1				7A01-
74-090	1	PILLAR(R),HINGE-OUT.			
NA01-70-280B	1				
74-090A	1	PILLAR(R),FRONT-OUT.			
NA01-70-210	1				
74-100	1	PANEL(R),FENDER-REAR			
NA01-70-400B	1				
74-120	1	PILLAR(L),HINGE-OUT.			
NA01-71-280B	1				
74-120A	1	PILLAR(L),FRONT-OUT.			
NA01-71-210	1				
74-130	1	PANEL(L),FENDER-REAR			
NA01-71-400B	1				
93-5114	1	HOSE			
99351-14999	1	L=1M CUT IT TO USE			
7701 NA35*V-738443					
7A01 NA35*V-739048					

CAT. AUNA06-03

1998-07

5370 FLOOR PANELS



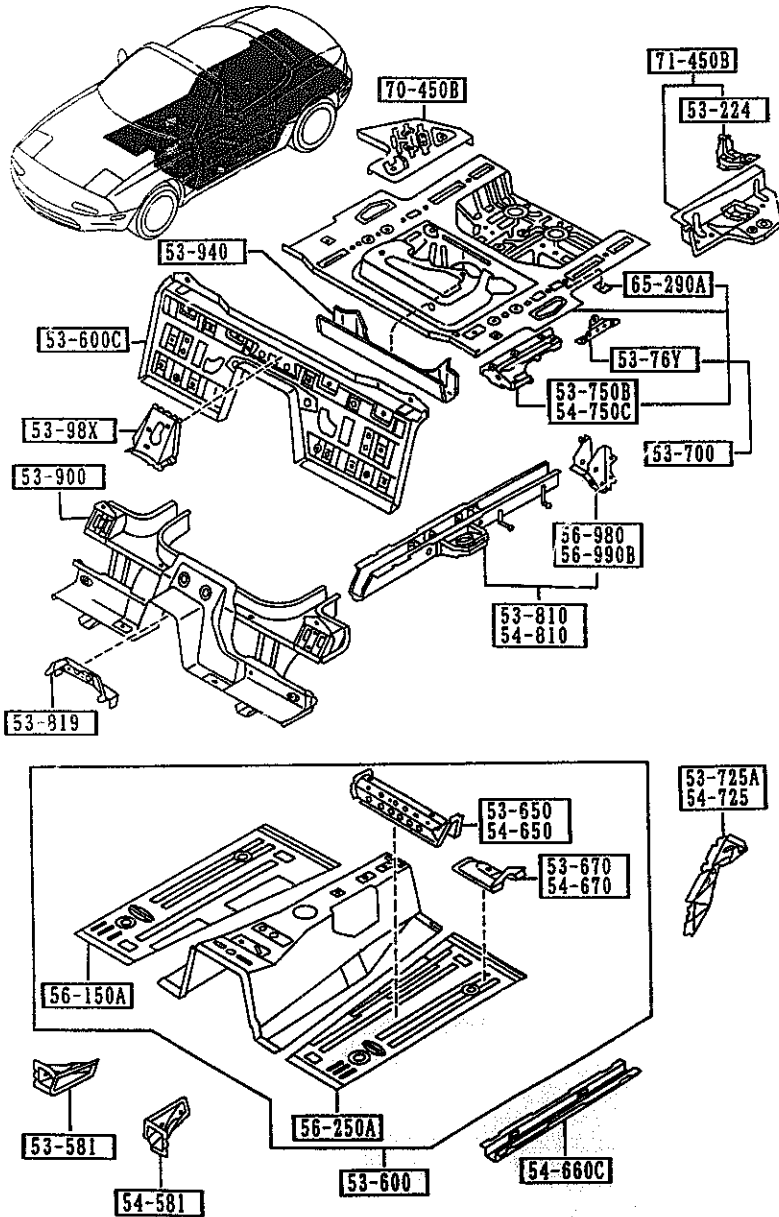
5370 -1 FLOOR PANELS

PART NO.	QTY	MODEL/RESTRICTION	MODEL/RESTRICTION	MODEL/RESTRICTION	FROM TO
53-224	1	BRACKET, JACK			
B455-53-750C	1				
53-581	1	JUNCTION(R), FRT. FLOOR			
NA01-53-482	1				
53-600	1	PAN, FLOOR-FRONT			-7601
NB38-53-600	1				
AN(NB38-53-600A)	1				7601-7623
*NB38-53-600A	1				
C (NB38-53-600B)	1				7623-
*NB38-53-600B	1				
53-600C	1	PAN, FLOOR-CENTER			
53-600C	1				
NA75-53-720	1				
53-650	1	MEMBER NO. 2(R), CROSS-FLOOR			
NA01-53-650A	1				
53-670	1	BRKT(R), SEAT-F. FLOOR PAN			
NA01-53-670A	1				
53-700	1	PAN, FLOOR-REAR			
NA01-53-710B	1				
53-725A	1	GUSSET NO. 3(R), C. FLOOR PAN			
NA01-53-725A	1				
53-750B	1	PLATE(R), SIDE-REAR FLOOR			-7A01
NA01-53-750	1				7A01-
*NA01-53-750A	1				
53-76Y	2	PLATE, NUT-TRUNK FLOOR PAN			-7301
NA01-53-760	2				
A (NA01-53-760A)	2				7301-7801
NA01-53-760A	2				
AN(NA01-53-760B)	2				7801-
*NA01-53-760B	2				
53-810	1	FRAME(R), REAR SIDE			-7801
NA01-53-810F	1				
A (NA01-53-810H)	1				
NB38-53-600A	1	7301 NA35*V-732210			
C NB38-53-600B	1	7601 NA35*V-737527			
8477-56-241	1	7623 NA35*V-738198			
		7801 NA35*V-739024			
		7A01 NA35*V-739048			

AUNA06

CAT. AUNA06-03

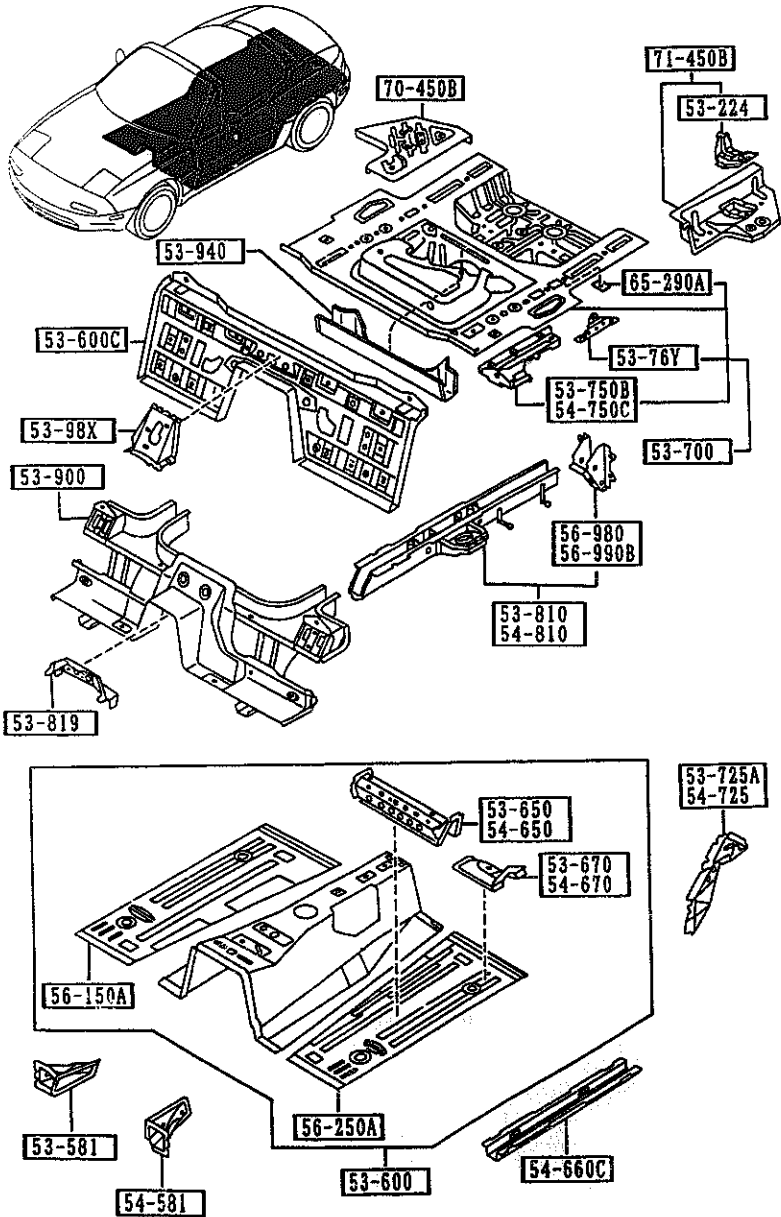
1998-07



PART NO	QTY	MODEL/RESTRICTION	MODEL/RESTRICTION	MODEL/RESTRICTION	FLOOR ID
CONT'D					
*NA01-53-810H	1				7801-
53-819		BRACKET,PARKING CABL			
53-819	1	E-FLOOR			
NA01-53-819	1				
53-900		MEMBER NO.3,CROSS			
53-900	1				-7601
NA75-53-900	1				
AN(NA75-53-900A)	1				7601-
NA75-53-900A	1				
53-940		MEMBER NO.4,CROSS			
53-940	1				
NA01-53-931	1				
53-98X		GUSSET,FRONT FLOOR P			
53-98X	1	AN			
NA01-53-880A	1				
54-581		JUNCTION(L),FRT. FLO			
54-581	1	R			
NA01-54-482	1				
54-650		MEMBER NO.2(L),CROSS			
54-650	1	-FLOOR			
NA01-54-650A	1				
54-660C		FRAME,FRONT-FRT FLOO			
54-660C	2	R PAN			
NA01-54-660B	2				
54-670		BRKT(L),SEAT-F.FLOOR			
54-670	1	PAN			
NA01-54-670A	1				
54-725		GUSSET NO.3(L),C.FLO			
54-725	1	R PAN			
NA01-54-725A	1				
54-750C		PLATE(L),SIDE-REAR F			
54-750C	1	FLOOR			
NA01-54-750	1				
*NA01-54-750A	1				-7A01
54-810		FRAME(L),REAR SIDE			7A01-
54-810	1				
NA01-54-810F	1				
A (NA01-54-810H)	1				-7801
*NA01-54-810H	1				7801-
56-150A		PAN(R),FLOOR			
56-150A	1				
7601 NA35*V-737527					
7801 NA35*V-739024					
7A01 NA35*V-739048					

5370 FLOOR PANELS

5370 -3 \* FLOOR PANELS



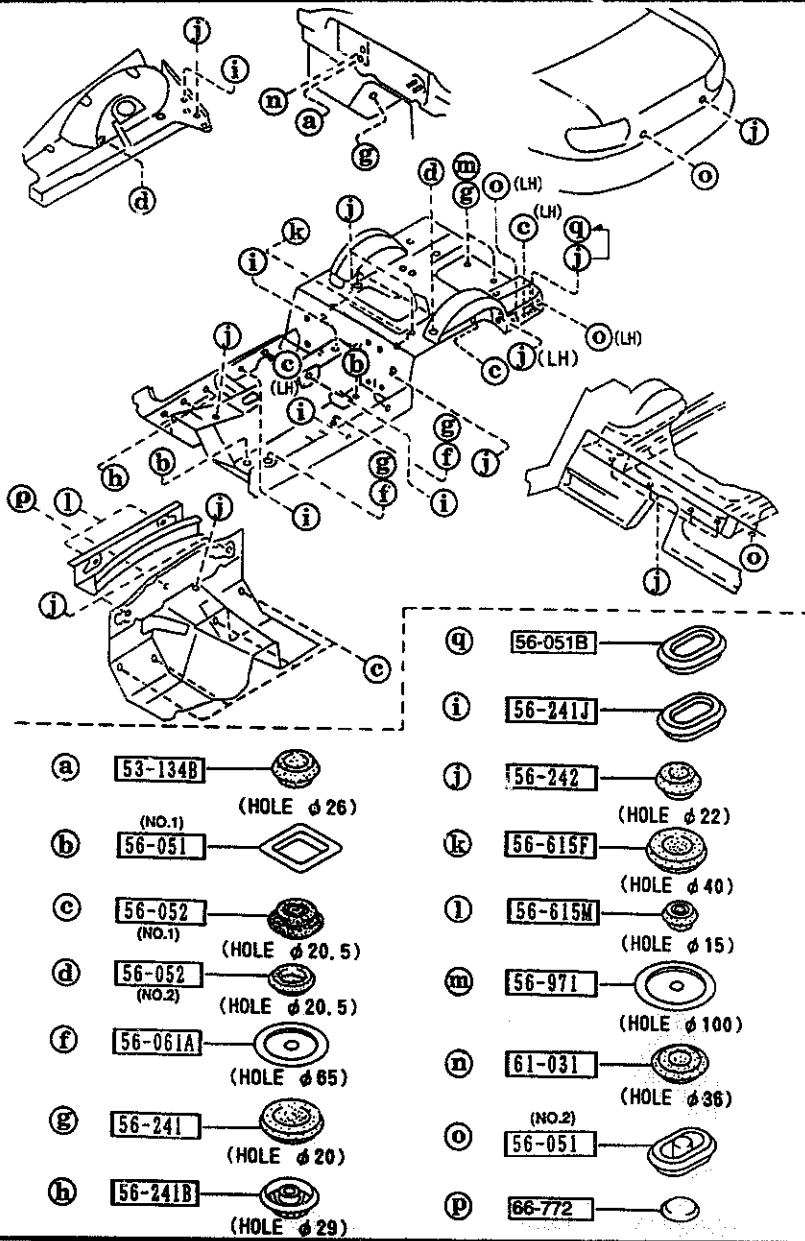
PART NO.	QTY	MODEL/RESTRICTION	MODEL/RESTRICTION	MODEL/RESTRICTION	FROM TO
CONT'D					
NA01-53-602A	1				
-----+   56-250A   -----+		PAN(L), FLOOR			
NA01-54-610A	1				
-----+   56-980   -----+		BRKT(R), BUMPER-RR SK IRT			
NA01-53-830C	1				
-----+   56-990B   -----+		BRKT(L), BUMPER-RR SK IRT			
NA01-54-830C	1				
-----+   65-290A   -----+		BRACKET			
1353-65-190	1				
-----+   70-450B   -----+		PANEL(R), FLOOR SIDE			
NA01-53-740C	1				
-----+   71-450B   -----+		PANEL(L), FLOOR SIDE			
NA01-54-740A	1				

AUNA06

CAT. AUNA06-03

1998-07

5380 FLOOR ATTACHMENTS (HOLE COVERS)



5380 -1 FLOOR ATTACHMENTS (HOLE COVERS)

PART NO.	QTY	MODEL/RESTRICTION	MODEL/RESTRICTION	MODEL/RESTRICTION	FORM-16
53-134B		RUBBER, DUST SEAL			
0187-53-134	1				
56-051		COVER, HOLE			
1011-56-051	4	(ILLUST. NO. 1)			
BC1D-56-052	3	(ILLUST. NO. 2)			-7701
*BC1D-56-052	4	(ILLUST. NO. 2)			7701-
56-051B		COVER, HOLE			
*GA5R-56-051	3				7701-
56-052		PLUG, DRAIN			
B092-56-052	8	D=12MM (ILLUST. NO. 1)			
F801-56-056	4	(ILLUST. NO. 2) (W/O A. LOCK BRAKE)			
56-061A		COVER, HOLE			
8545-56-052	4				
56-241		PLUG, DRAIN			
0118-56-241	7				
56-241B		PLUG			
B081-56-051	6				
56-241J		PLUG, DRAIN			
8477-56-241	6				
56-242		PLUG, DRAIN			
0118-56-242B	19				-7701
*0118-56-242B	15				7701-
56-615F		PLUG, DRAIN			
0208-56-615	2				
56-615M		PLUG, DRAIN			
NA01-56-051	2				
56-971		COVER, HOLE			
8545-56-053	2				
7701 NA35*V-738443					

AUNA06

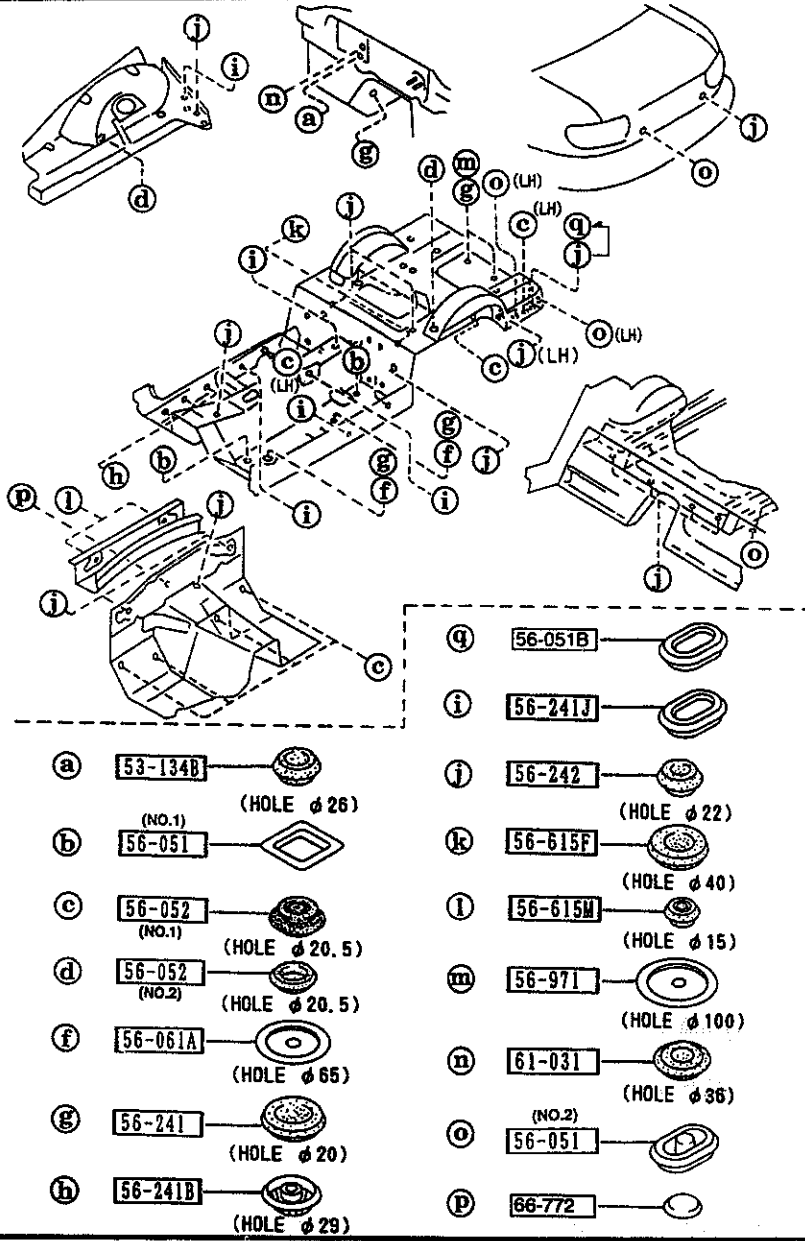
CAT. AUNA06-03

1998-07



5380 FLOOR ATTACHMENTS (HOLE COVERS)

5380 -2 \* FLOOR ATTACHMENTS (HOLE COVERS)

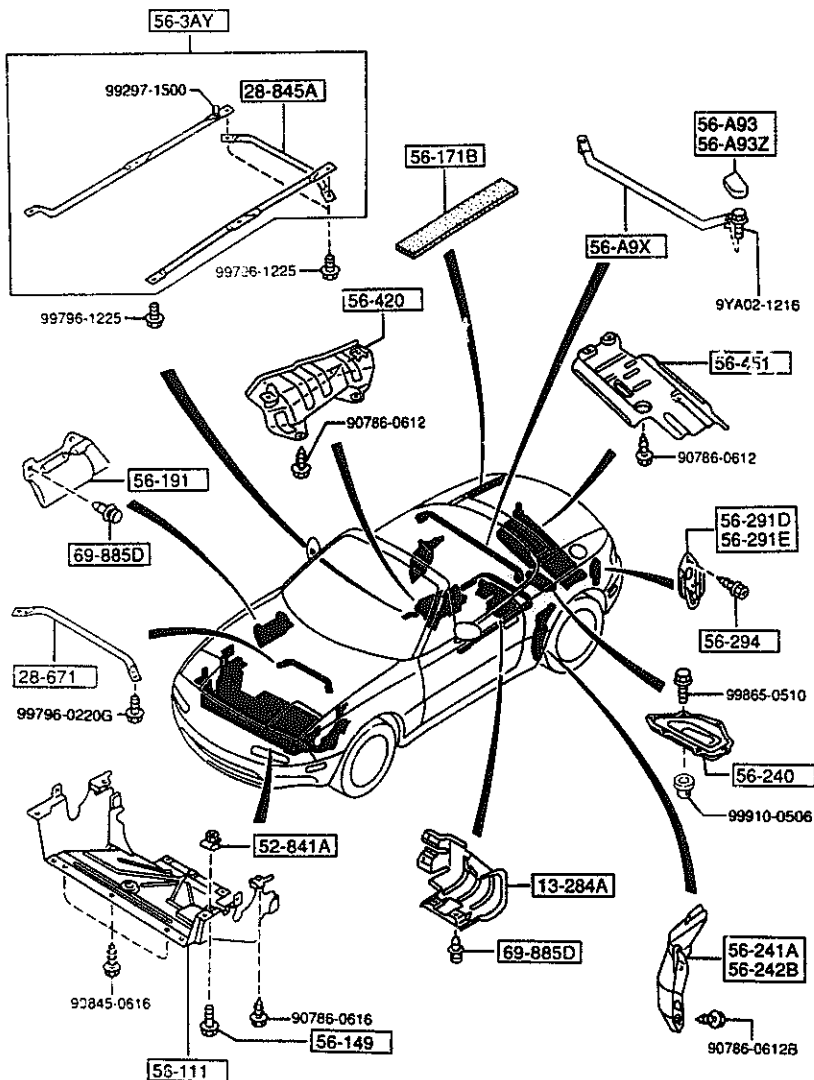


PART NO.	QTY	MODEL / RESTRICTION	MODEL / RESTRICTION	MODEL / RESTRICTION	CL. M. 10
61-031		PLUG, HOLE			
1708-61-031	1				
66-772		GROMMET			
*B092-41-661	1	BASE, N-PKG, R-PKG, (W/O AUTO CRUISE.COM T.)			

AUNA06

CAT. AUNA06-03

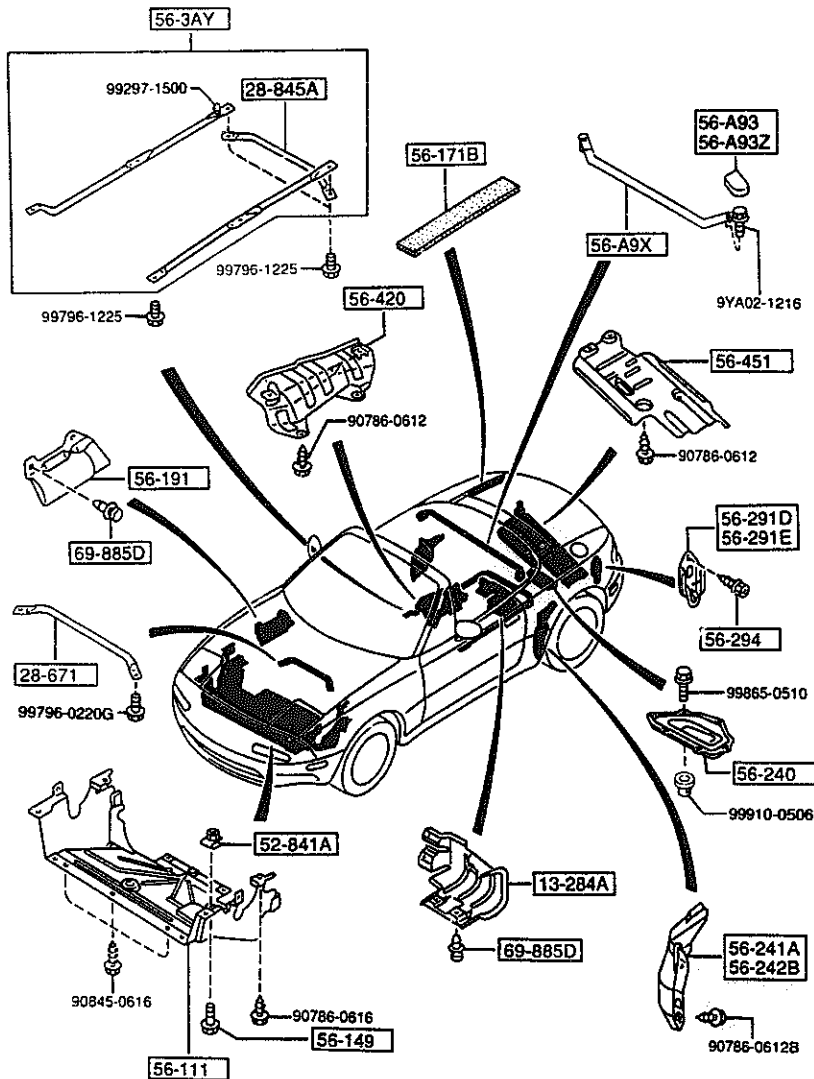
1998-07



PART NO	QTY	MODEL RESTRICTION	MODEL RESTRICTION	MODEL RESTRICTION	FLOOR
13-284A		COVER, FUEL FILTER			
NA75-56-241 AN(NA75-56-241A)	1				-7A15
*NA75-56-241A	1				7A15-
28-671		ROD, PERFORMANCE			
NA75-56-891	1				
28-845A		BAR, REAR SUSPENSION (L.S. DIFF)			
N007-28-845A	1				
52-841A		NUT, CLIP			
B455-56-135	1				
56-A9X		BAR, BRACE			
NA75-56-A9XB	1				
56-A93		COVER(R), BRACE BAR			
NA75-56-A93	1				
56-A93Z		COVER(L), BRACE BAR			
NA75-56-A94	1				
56-111		COVER, UNDER			
NA01-56-111D A (NA01-56-111E)	1				-7901
*NA01-56-111E	1				7901-
56-149		SCREW, TAPPING-MUD GUARD			
B455-56-149	1				
56-171B		PROTECTOR(R), RR FENDER			
NA01-56-171A	1				
56-191		SHIELD, SPLASH			
NA01-56-112	1				
56-240		COVER			
NA75-56-86X	1				
56-241A		SHIELD(R), SPLASH-REAR			
7901 NA35*V-739040 7A15 NA35*V-729052					

5390 FLOOR ATTACHMENTS

5390 -2 \* FLOOR ATTACHMENTS



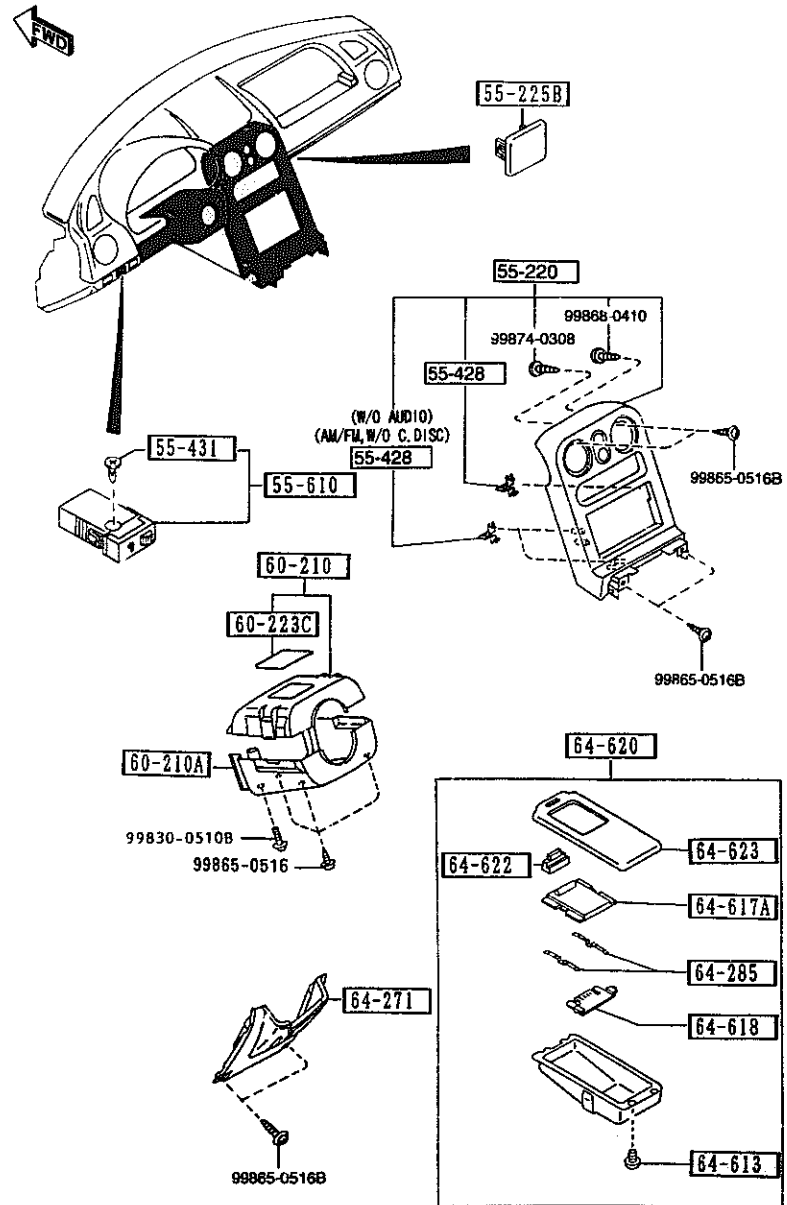
PART NO.	QTY	MODEL/RESTRICTION	MODEL/RESTRICTION	MODEL/RESTRICTION	ITEM ID
CONT'D					
NA01-56-311A AN(NA01-56-311C)	1				-7701
*NA01-56-311C AN(NA01-56-311D)	1				7701-7A01
*NA01-56-311D	1				7A01-
+-----+   56-242B   +-----+		SHIELD(L), SPLASH-REA R			
NA01-56-321A AN(NA01-56-321C)	1				-7701
*NA01-56-321C AN(NA01-56-321D)	1				7701-7A01
*NA01-56-321D	1				7A01-
+-----+   56-291D   +-----+		HOOK(R), TIE DOWN			
NA01-56-29XC	1				
+-----+   56-291E   +-----+		HOOK(L), TIE DOWN			
NA01-56-290C	1				
+-----+   56-294   +-----+		SCREW, TIE DOWN HOOK			
NA01-56-294	4				
+-----+   56-3AY   +-----+		REINF. (L), FLOOR (L.S. DIFF)			
NA75-56-3AY	1				
+-----+   56-420   +-----+		INSULATOR, FRONT			
NA75-56-411B AN(NA75-56-411C)	1				-7701
*NA75-56-411C	1				7701-
+-----+   56-451   +-----+		INSULATOR			
NA01-56-451	1				
+-----+   69-885D   +-----+		FASTENER			
NA01-56-145	7				
7701 NA35*V-738443 7A01 NA35*V-739048					

AUNA06

CAT. AUNA06-03

1998-07

5500 DASHBOARD EQUIPMENTS



5500 -1 DASHBOARD EQUIPMENTS

PART NO.	QTY	MODEL/RESTRICTION	MODEL/RESTRICTION	MODEL/RESTRICTION	FROM-TO
55-220		PANEL,CENTER			
NA75-55-210A	1	(AM/FM,W/C.DISC)			
00	INT-	NA3 NA4 NA5 NA6 BLACK			
NB38-55-210A	1	(AM/FM,W/O C.DISC) (W/O AUDIO)			
00	INT-	NA3 NA4 NA5 NA6 BLACK			
55-225B		COVER,HOLE			
NB38-55-225A	1				
00	INT-	NA3 NA7 BLACK			
88	INT-	NA4 NA5 TAN			
55-428		SPRING,METER HOOD			
GJ21-55-428	1	(AM/FM,W/C.DISC)			
GJ21-55-428	3	(AM/FM,W/O C.DISC) (W/O AUDIO)			
55-431		BULB,RESISTOR			
BR70-55-431	1				
55-610		RESISTOR,PANE. LIGHT			
BR70-55-490	1				
60-210		COVER,COLUMN-UPPER			
NA01-60-220	1				
00	INT-	NA3 NA4 NA5 NA6 BLACK			
60-210A		COVER,COLUMN-LOWER			
NA01-60-230A	1				
00	INT-	NA3 NA4 NA5 NA6 BLACK			
60-223C		CAP,COLUMN COVER			
NA01-60-223	1				
00	INT-	NA3 NA4 NA5 NA6 BLACK			
64-271		PANEL,CENTER-LOWER			
NA75-64-270C	1				

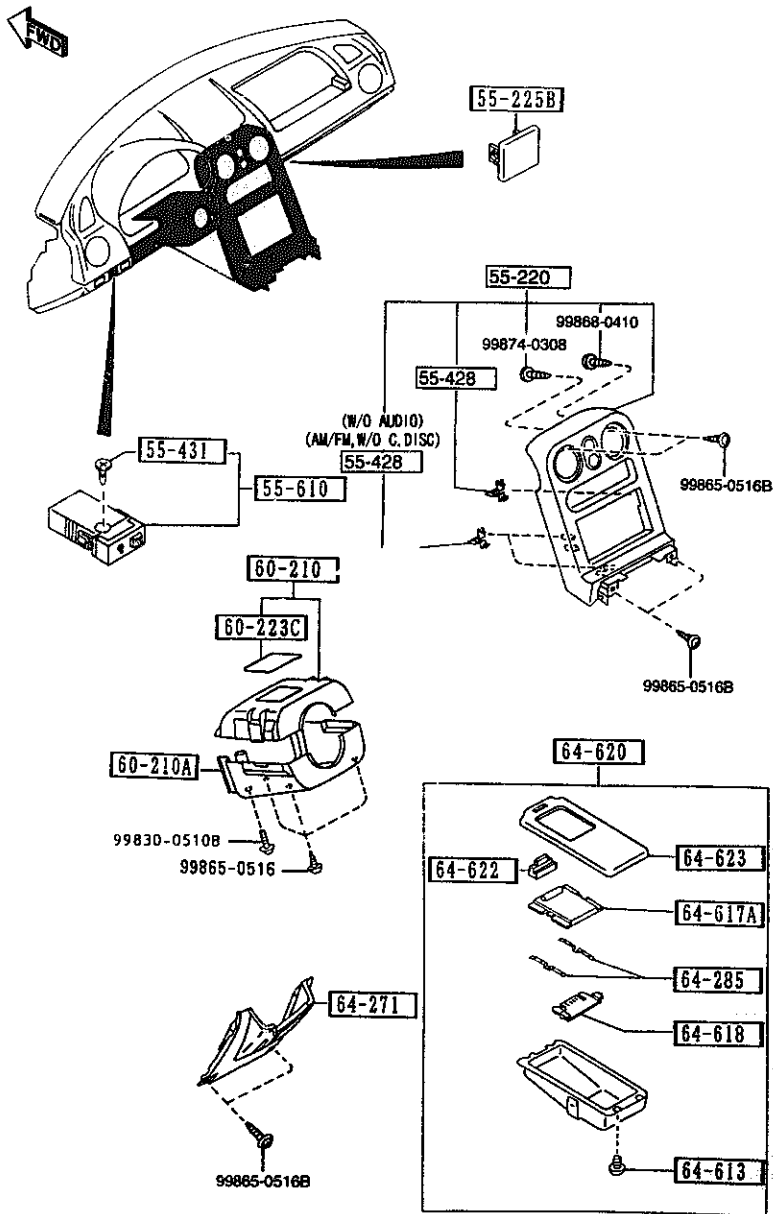
AUNA06

CAT. AUNA06-03

1998-07

5500 -2 \* DASHBOARD EQUIPMENTS

5500 DASHBOARD EQUIPMENTS



PART NO.	QTY	MODEL/RESTRICTION	MODEL/RESTRICTION	MODEL/RESTRICTION	UNIT-TO
<b>CONT'D</b>					
00	INT-	NA3 NA7 BLACK			
88	INT-	NA4 NA5 TAN			
		64-285	SPRING, ASHTRAY		
NA01-64-612	2				
		64-613	SCREW, ASHTRAY		
NA01-64-613	4				
		64-617A	LID, ASHTRAY		
NA01-64-617	1				
00	INT-	NA3 NA4 NA5 NA6 BLACK			
		64-618	PLATE, ASHTRAY		
NA01-64-618	1				
		64-620	TRAY, ASH		
NA01-64-610B	1				
00	INT-	NA3 NA4 NA5 NA6 BLACK			
		64-622	LIGHT, PLATE-ASHTRAY		
NA01-64-622	1				
		64-623	CASE'OUT', ASHTRAY		
NA01-64-623	1				
00	INT-	NA3 NA4 NA5 NA6 BLACK			

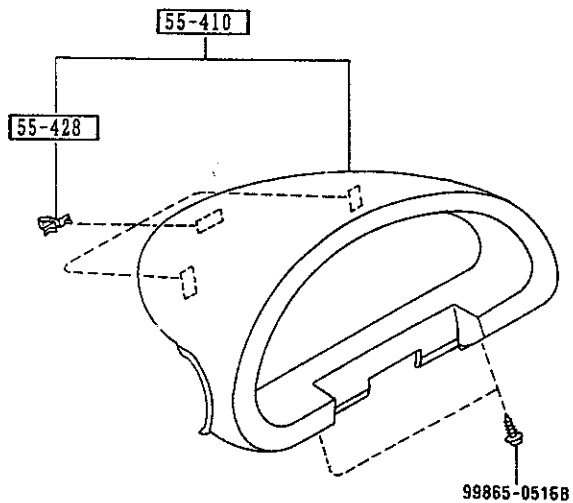
AUNA06

CAT. AUNA06-03

1998-07

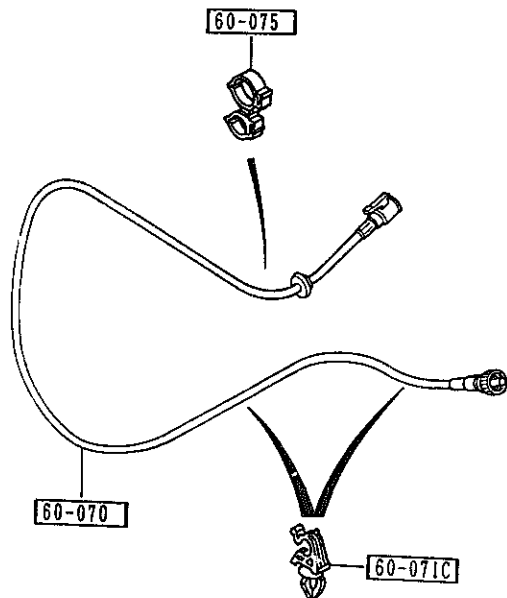
5520 METER HOOD

5520 -1 \* METER HOOD



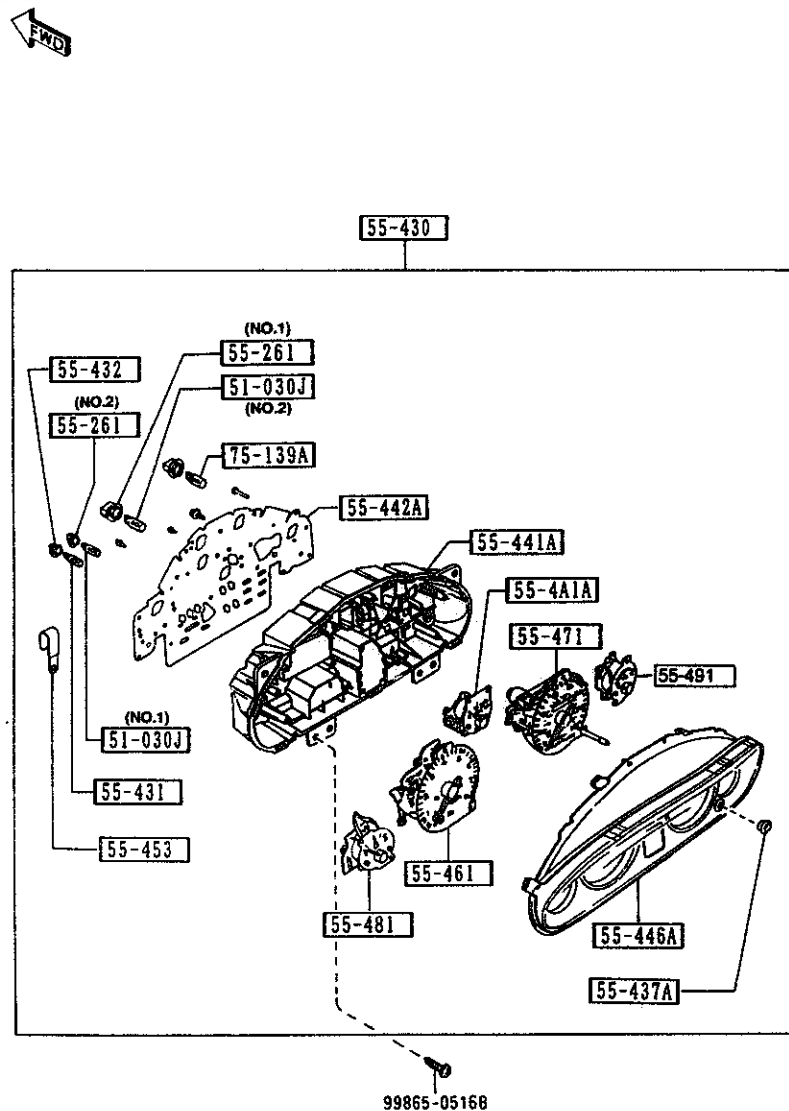
PART NO	QTY	MODEL/RESTRICTION	MODEL/RESTRICTION	MODEL/RESTRICTION	FROM TO
55-410		HOOD, METER			
75-55-420B	1				
00	INT-	NA3 NA4 NA5 NA7 BLACK			
55-428		SPRING, METER HOOD			
6J21-55-428	3				

5530 SPEEDOMETER CABLE



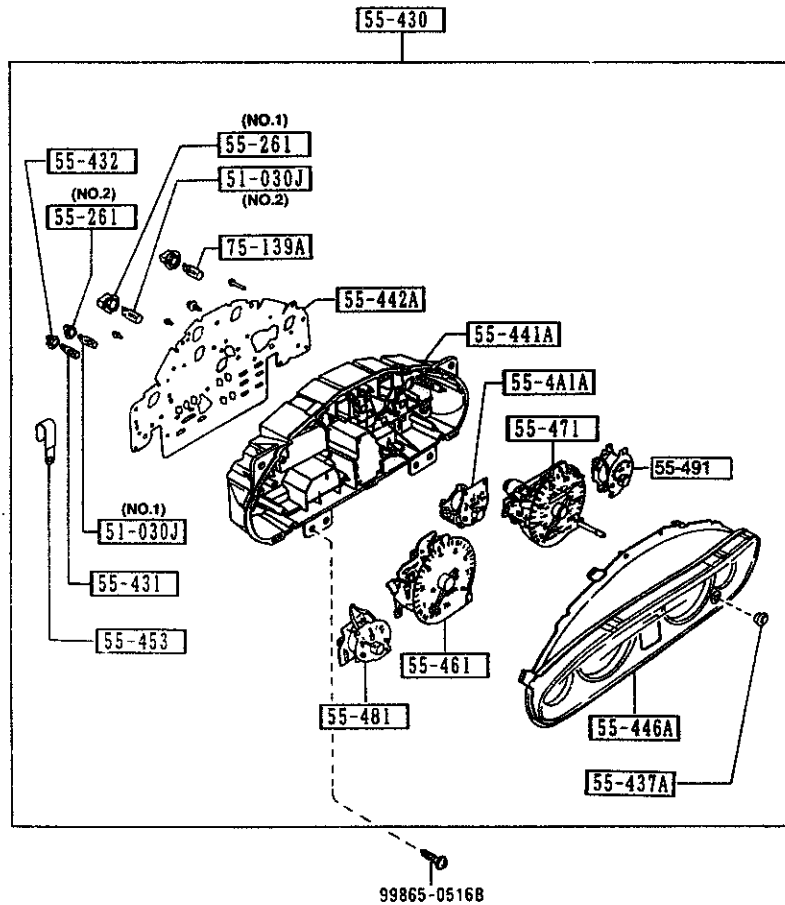
5530 -1 \* SPEEDOMETER CABLE

PART NO.	QTY	MODEL/RESTRICTION	MODEL/RESTRICTION	MODEL/RESTRICTION	FROM TO
60-070		CABLE, SPEEDMETER			
NA01-60-070B	1	(MT)			
NA03-60-070A	1	(AT)			
60-071C		CLIP			
NA03-60-071	2				
60-075		CLIP 'A', SPEEDOMETER CABLE			
NA01-60-075	1				



PART NO.	QTY	MODEL/RESTRICTION	MODEL/RESTRICTION	MODEL/RESTRICTION	FROM TO
51-030J		BULB			
3625-75-139	8	12V 1.4W (ILLUST. NO.1)			
99701-6030	3	12V 3.4W (ILLUST. NO.2)			
55-261		SOCKET			
1316-55-261	3	12V 3.4W (ILLUST. NO.1)			
8548-55-261	8	12V 1.4W (ILLUST. NO.2)			
55-4A1A		METER,OIL PRESSURE			
NA75-55-4A1	1	(TYPE'A' DESIGN)			
NB39-55-4A1	1	(TYPE'B' DESIGN)			
55-430		METER SET			
NB13-55-430B	1	(TYPE'A' DESIGN)			
NB39-55-430	1	(TYPE'B' DESIGN)			
55-431		BULB,RESISTOR			
NA01-55-431	1	(TYPE'A' DESIGN)			
55-432		SOCKET,METER SET			
NA01-55-432	1	(TYPE'A' DESIGN)			
55-437A		GROMMET,KNOB-METER SET			
NA01-55-437	1				
55-441A		CASE,METER			
NA01-55-441D	1				
55-442A		PLATE,PRINT			
NA75-55-442	1				
55-446A		PLATE,WINDOW			
NB13-55-446	1				
55-453		CLAMP			
N007-55-467	1				



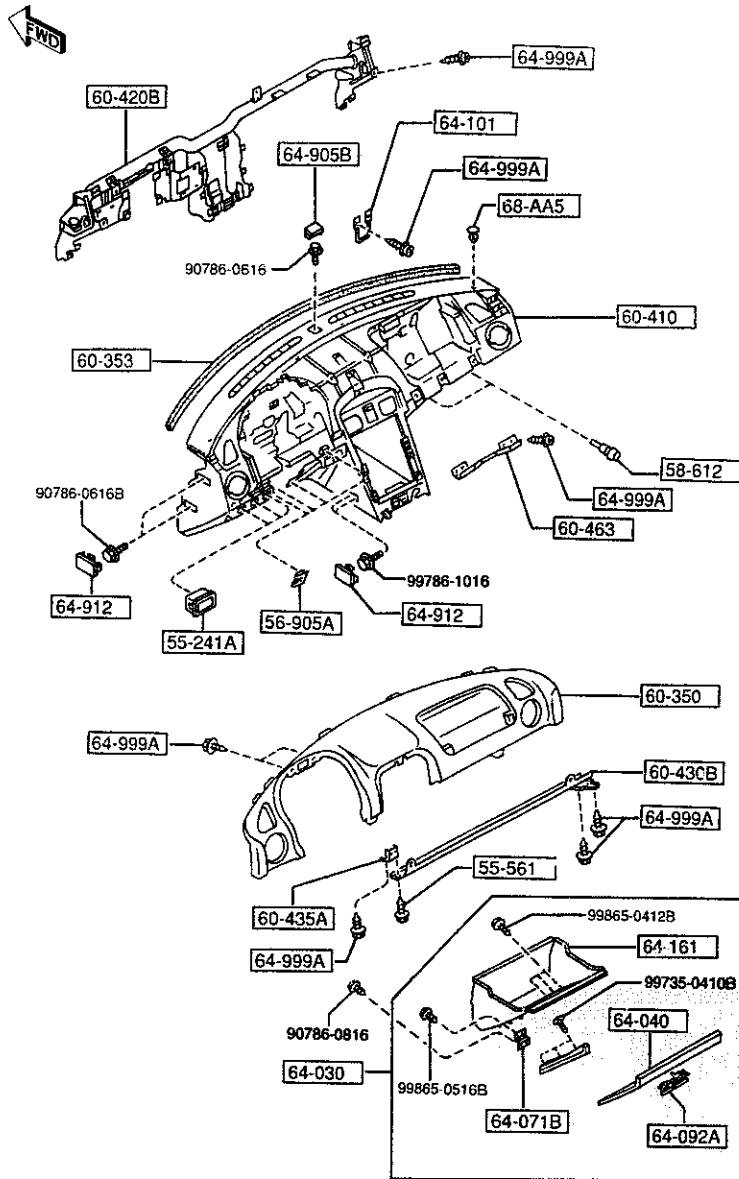


5540 -2 \* METER COMPONENTS

PART NO	QTY	MODEL/RESTRICTION	MODEL/RESTRICTION	MODEL/RESTRICTION	FROM-TO
55-461		TACHOMETER			
NA75-55-461	1	(TYPE'A' DESIGN)			
NB39-55-461	1	(TYPE'B' DESIGN)			
55-471		SPEEDOMETER			
NA01-55-471B	1	(TYPE'A' DESIGN)			
NB39-55-471	1	(TYPE'B' DESIGN)			
55-481		METER, FUEL			
NA01-55-481	1	(TYPE'A' DESIGN)			
NB39-55-481	1	(TYPE'B' DESIGN)			
55-491		METER, TEMP			
NA75-55-491	1	(TYPE'A' DESIGN)			
NB39-55-491	1	(TYPE'B' DESIGN)			
75-139A		BULB			
B491-55-431	4				

5560 -1 DASHBOARD & RELATED PARTS

5560 DASHBOARD & RELATED PARTS



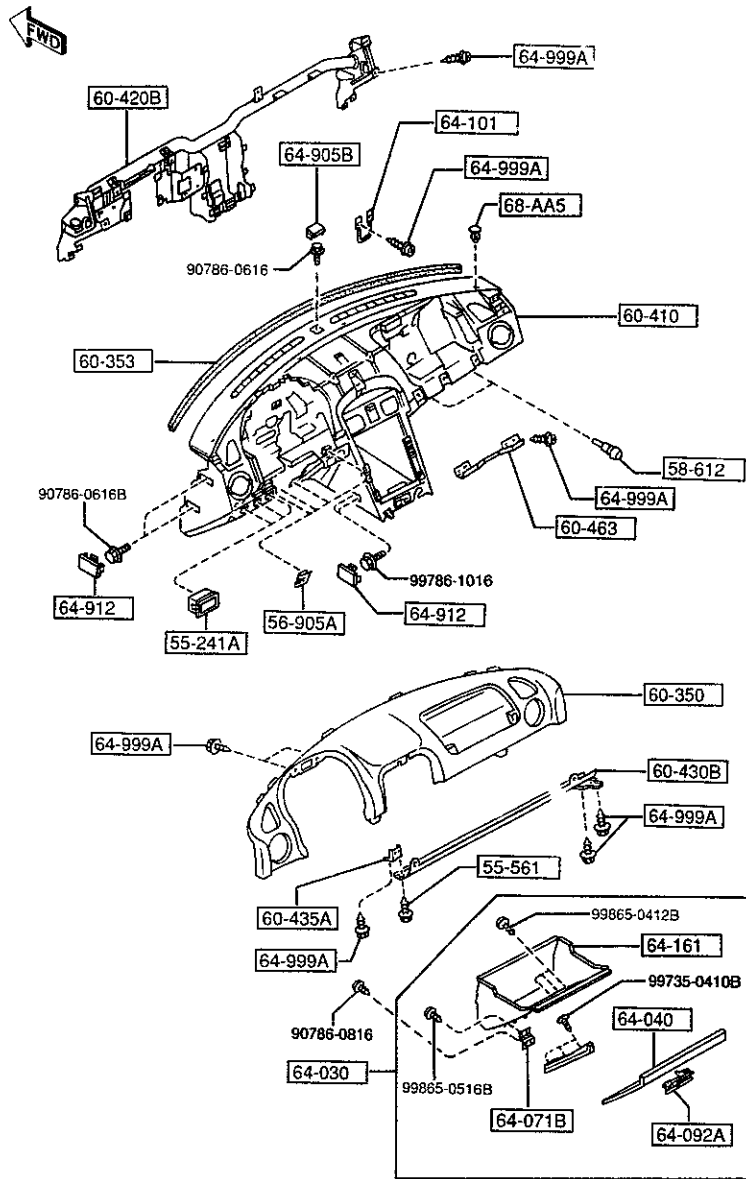
PART NO.	QTY	MODEL/RESTRICTION	MODEL/RESTRICTION	MODEL RESTRICTION	FRGM-10
55-241A		BOX, INSTRUMENT PANEL			
NA01-55-241A	3				
00	INT-	NA3 NA4 NA5 NA6 BLACK			
55-561		BOLT, INST. PANEL			
B455-55-561	1				
56-905A		NUT, SPRING			
B092-60-408	4				
58-612		CUSHION, RUBBER			
B092-64-046	2				
60-350		PAD, CRASH			
NA75-60-350B	1				
00	INT-	NA3 NA4 NA5 NA6 BLACK			
60-353		RUBBER, URETHNE			
NA75-60-353	1				
60-410		FRAME, INST. PANEL			
NA75-60-401G	1				
00	INT-	NA3 NA7 BLACK			
88	INT-	NA4 NA5 BLACK/TAN			
60-420B		MEMBER, CRASH PAD			
NB38-60-420A (NB38-60-420A)	1				-7701
*NB38-60-420A	1				7701-
60-430B		MEMBER(R), INST. PANEL			
NA01-60-430E	1				
60-435A		BRACKET, MEMBER			
NA01-60-435	1				
60-465		BRACKET, CRASH PAD			
NA01-60-465	1				
7701 NA35*V-738443					

AUNA06

CAT. AUNA06-03

1998-07

5560 DASHBOARD & RELATED PARTS



5560 -2 DASHBOARD & RELATED PARTS

PART NO.	QTY	MODEL/RESTRICTION	MODEL/RESTRICTION	MODEL/RESTRICTION	FROM-TO
64-030		BOX, GLOVE			
NA75-64-030F	1				
00	INT-	NA3 NA7 BLACK			
88	INT-	NA4 NA5 TAN			
64-040		LID, GLOVE BOX-OUTER			
NA75-64-041C	1				
00	INT-	NA3 NA7 BLACK			
88	INT-	NA4 NA5 TAN			
64-071B		HINGE(R), GLOVE LID			
NA75-64-03XA	2				
64-092A		LOCK, GLOVE LID			
BC5E-64-090B	1				
00	INT-	NA3 NA7 BLACK			
67	INT-	NA4 NA5 TAN			
64-101		STRIKER			
BC1D-64-101	1				
64-161		BOX, GLOVE			
NA75-64-161C	1				
00	INT-	NA3 NA4 NA5 NA6 BLACK			
64-905B		COVER, HOLE-(C)			
NA01-64-905	1				
00	INT-	NA3 NA4 NA5 NA7 BLACK			
64-912		COVER, SIDE			
NA01-64-912	6				
00	INT-	NA3 NA7 NA8 BLACK			
88	INT-	NA4 NA5 TAN			
64-999A		SCREW, TAPPING			
W201-64-999	33				

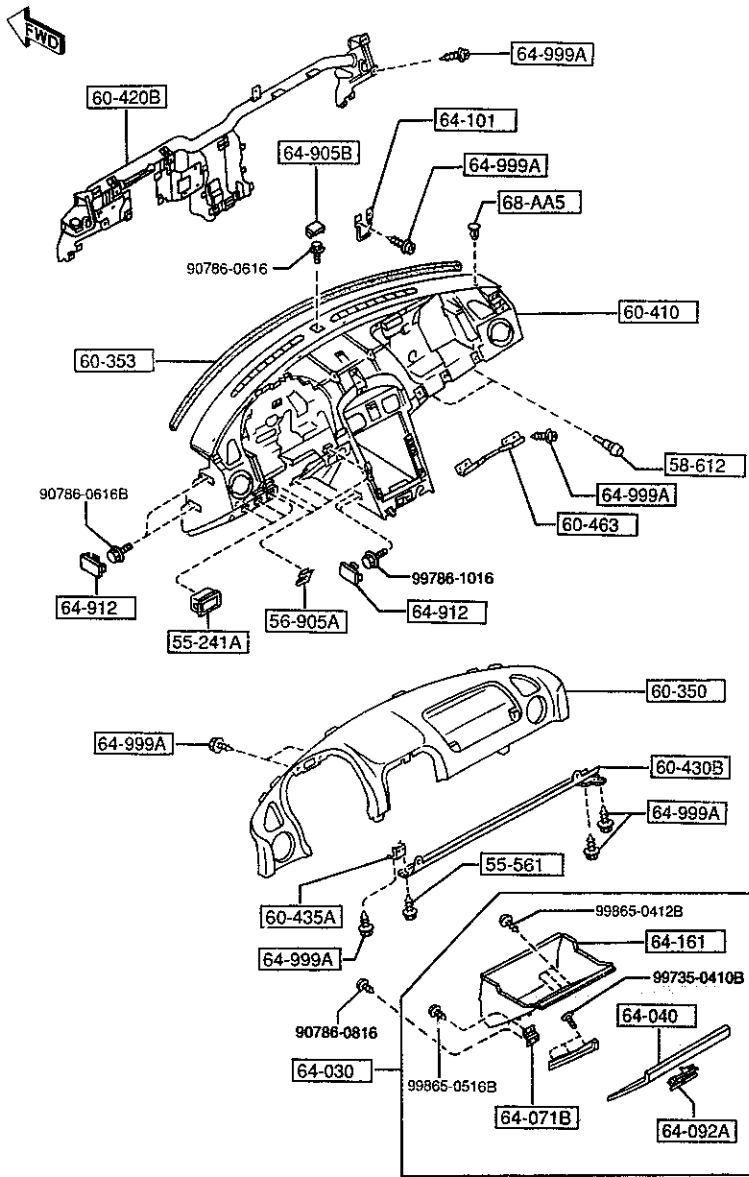
AUNA06

CAT. AUNA06-03

1998-07

2-J14

5560 DASHBOARD & RELATED PARTS

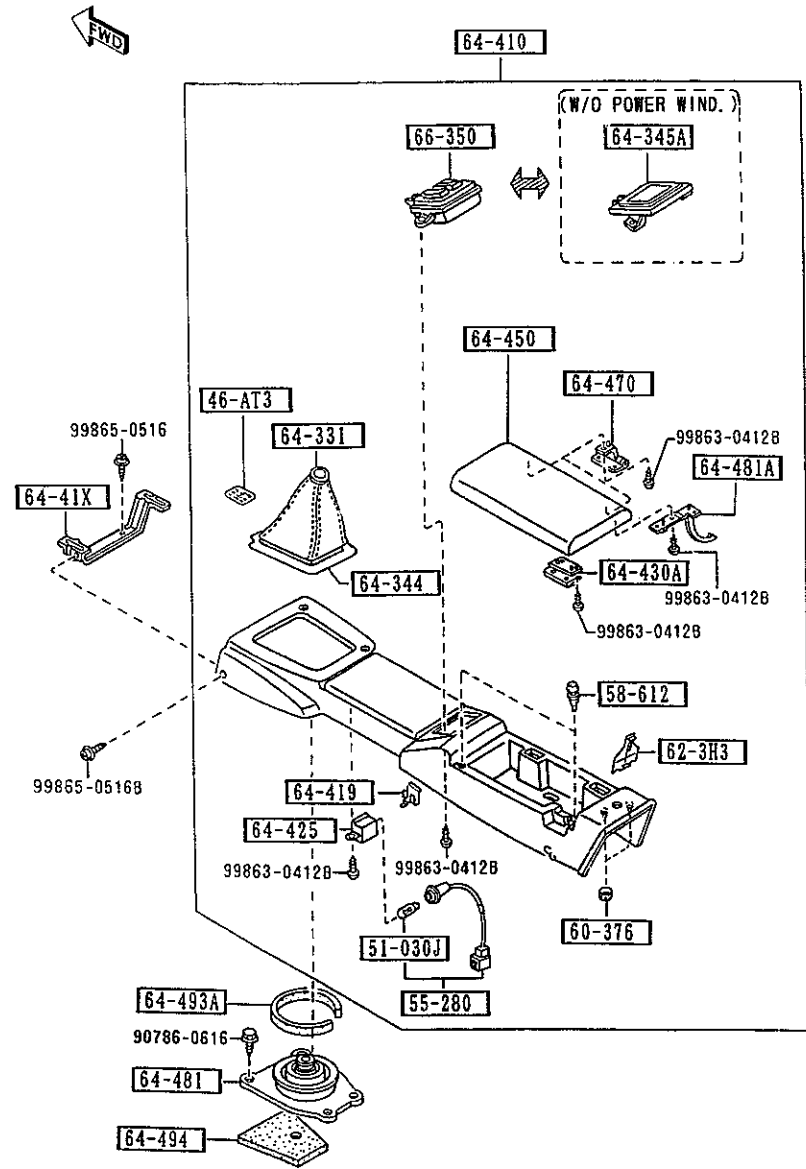


PART NO.	QTY	MODEL/RESTRICTION	MODEL/RESTRICTION	MODEL/RESTRICTION	FROM-TO
68-AA5		FASTENER, DOOR TRIM			
W201-68-AA5A	4				
00	INT-	NA3 NA4 NA5 NA6 NA7 NA8 BLACK			

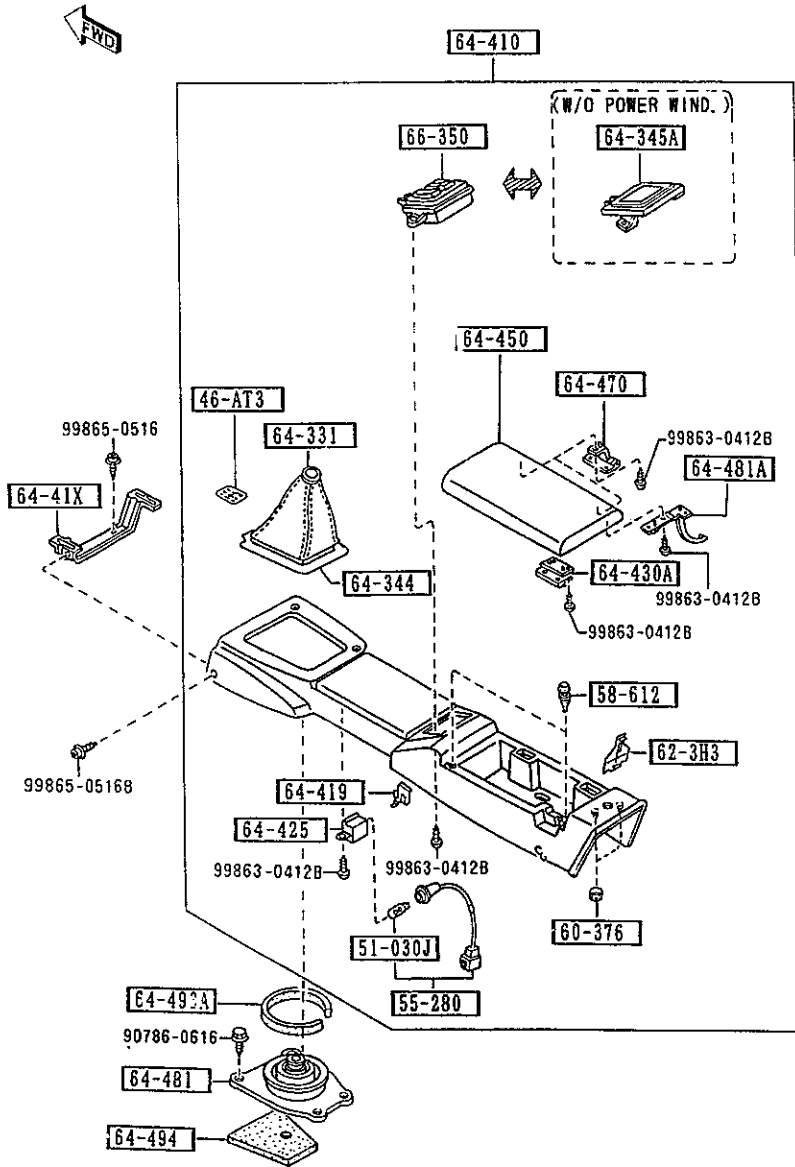
AUNA06

CAT. AUNA06-03

1998-07

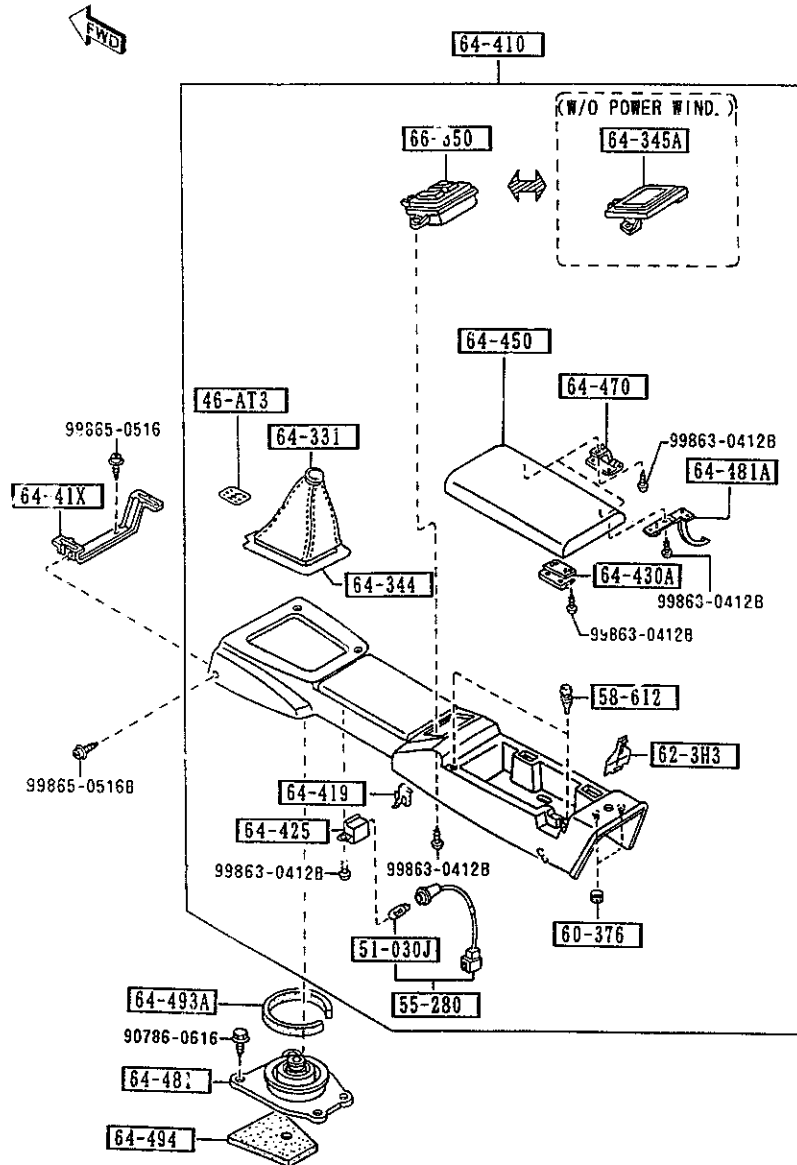


PART NO	QTY	MODEL/RESTRICTION	MODEL/RESTRICTION	MODEL/RESTRICTION	FORM-10
46-AT3		LABEL, CHANGE			
NA00-46-AT3	1	(WOOD) (MT)			
51-030J		BULB			
3625-75-139	1	12V 1.4W			
55-280		BULB & SOCKET			
NA01-55-280	1	(MT)			
NA06-55-280	1	(AT)			
58-612		CUSHION, RUBBER			
B092-64-046	2				
60-376		NUT, TOP-CRASH PAD			
B092-60-376	2				
62-3H3		COVER, LEVER-OPENER			
NA01-64-424	1				
64-331		BOOT, CHANGE			
NA01-64-331	1	(MT)			
00	INT-	NA3 NA4 NA5 NA6 BLACK			
64-344		PLATE, BACK-BOOTS RING			
NA01-64-344B	1	(MT)			
64-345A		BOX, COIN-CONSOLE			
NA01-64-437	1	BASE, R-PKG, (W/O POWER WIND.)			
00	INT-	NA3 NA4 NA5 NA6 BLACK			
64-41X		BRACKET, REAR CONSOLE			
NA01-64-416	1				
64-410		CONSOLE, REAR			
NA01-64-410D	1	(W/O POWER WIND, W/O CHANGE LABEL) (MT)			-7714
00	INT-	NA3 NA4 NA5 NA6			
7714 NA35*V-738705					



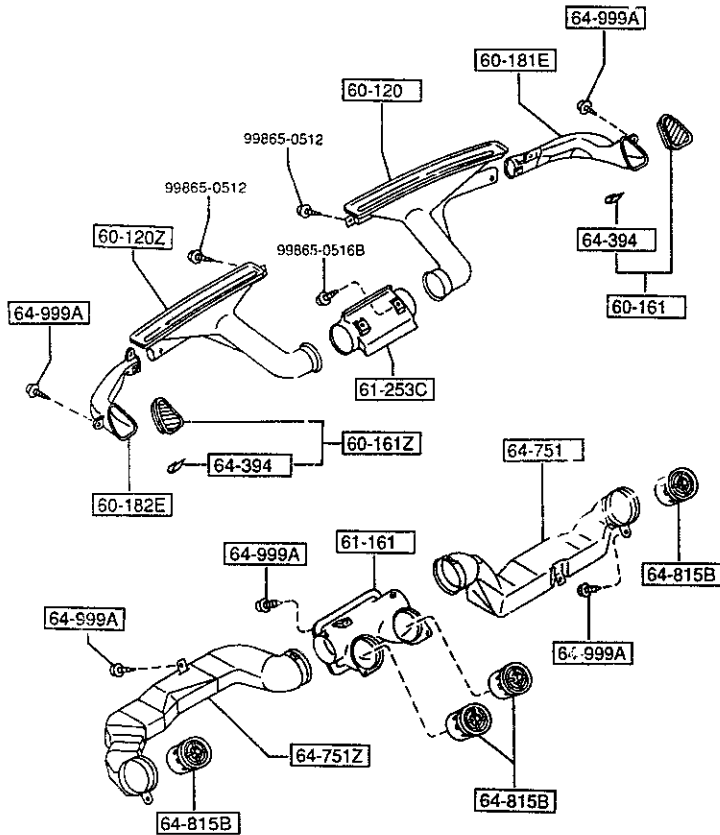
PART NO.	QTY	MODEL/RESTRICTION	MODEL/RESTRICTION	MODEL/RESTRICTION	FIG. TO
CONT'D					
NA02-64-410D	1	BLACK (W/POWER WIND,W/O CH ANGE LABEL) (MT)			7714
00	INT-	NA3 NA4 NA5 NA6 BLACK			
NA03-64-410C	1	BASE, R-PKG, (W/O POWER WIND.) (AT)			7714
00	INT-	NA3 NA4 NA5 NA6 BLACK			
NA06-64-410D	1	F-SV, L-PKG, P.E.GR, T-PKG, (W/POWER WIND.) (AT)			7714
00	INT-	NA3 NA4 NA5 NA6 BLACK			
N007-64-410B	1	(W/O POWER WIND,W/CH ANGE LABEL) (MT)			7714
00	INT-	NA3 NA4 NA5 NA6 BLACK			
N008-64-410B	1	(W/POWER WIND,W/CHAN GE LABEL) (MT)			7714
00	INT-	NA3 NA4 NA5 NA6 BLACK			
*NA01-64-410E	1	(W/O POWER WIND,W/O CHANGE LABEL) (MT)			7714-
* 00	INT-	NA3 NA4 NA5 NA6 NA7 NA8 BLACK			
*NA02-64-410E	1	(W/POWER WIND,W/O CH ANGE LABEL) (MT)			7714-
* 00	INT-	NA3 NA4 NA5 NA6 NA7 NA8 BLACK			
*NA03-64-410D	1	BASE, R-PKG, (W/O POWER WIND.) (AT)			7714-
* 00	INT-	NA3 NA4 NA5 NA6 NA7 NA8 BLACK			
*NA06-64-410E	1	F-SV, L-PKG, P.E.GR, T-PKG, (W/POWER WIND.) (AT)			7714-
* 00	INT-	NA3 NA4 NA5 NA6 NA7 NA8 BLACK			
*N007-64-410C	1	(W/O POWER WIND,W/CH			7714-
7714 NA35*V-738705					





PART NO.	QTY	MODEL/RESTRICTION	MODEL/RESTRICTION	MODEL/RESTRICTION	FORM-10
64-494		PAD,CHANGE BOOT			
FB01-64-495	1	(MT)			
66-350		SWITCH,POWER WINDOW			
NA01-66-350A	1	F-SV, L-PKG, P.E.GR, T-PKG, (W/POWER WIND.) (MT)			
00	INT-	NA3 NA4 NA5 NA6 BLACK			
NA03-66-350	1	F-SV, L-PKG, P.E.GR, T-PKG, (W/POWER WIND.) (AT)			
00	INT-	NA3 NA4 NA5 NA6 BLACK			

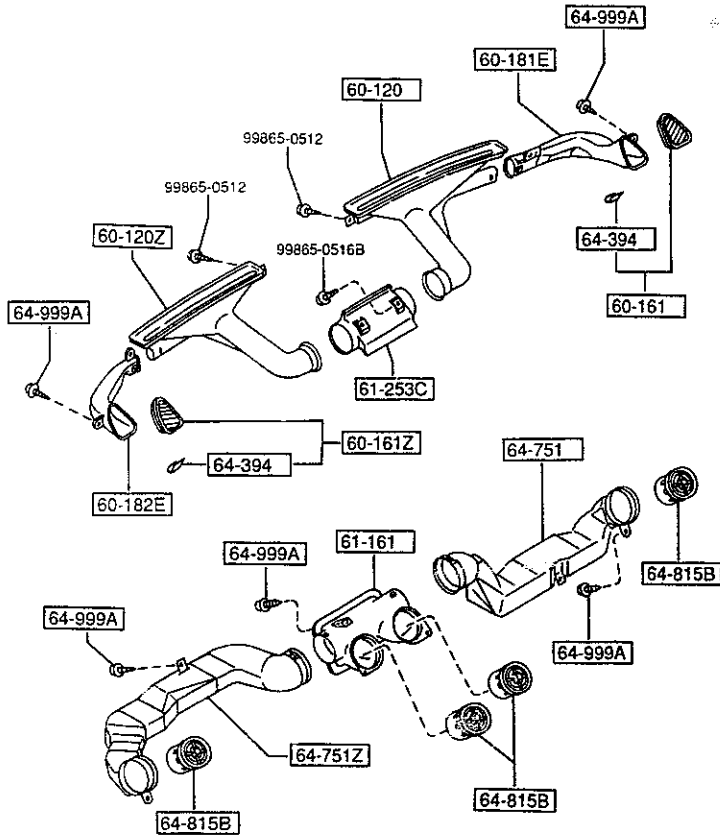







ART. NO.	QTY	MODEL/RESTRICTION	MODEL/RESTRICTION	MODEL/RESTRICTION	FROM TO
60-120		NOZZLE(R), DEFROSTER			
NA75-60-121B	1				
60-120Z		NOZZLE(L), DEFROSTER			
NA01-60-141	1				
60-161		GRILLE(R), DEMISTER			
NA75-60-160A	1				
00	INT-	NA3 NA4 NA5 NA7 BLACK			
60-161Z		GRILLE(L), DEMISTER			
NA75-60-170A	1				
00	INT-	NA3 NA4 NA5 NA7 BLACK			
60-181E		DUCT(R), SIDE DEMI.			
NA75-60-183	1				
60-182E		DUCT(L), SIDE DEMI.			
NA75-60-193	1				
61-161		DUCT, CENTER			
NA75-61-161A	1				
61-253C		HOSE(C), DEFROSTER			
NA01-61-253	1				
64-394		SPRING			
GAZA-64-394	2				
64-751		DUCT(R)			
NA75-64-741	1				
64-751Z		DUCT(L)			
NA75-64-841	1				
64-815B		LOUVER, VENTILATOR			
NA01-64-81X	4				
00	INT-	NA3 NA4 NA5 NA6 BLACK			

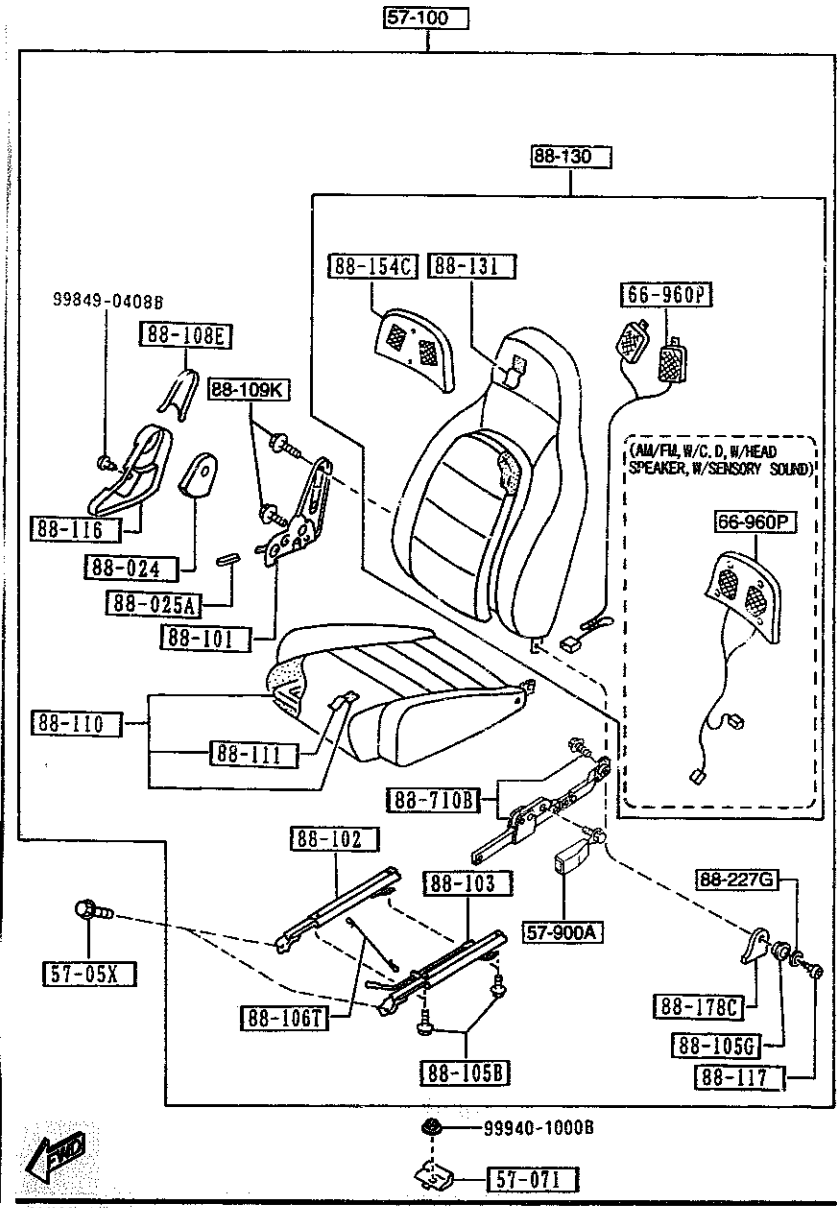
5580 VENTILATOR

5580 -2 \* VENTILATOR



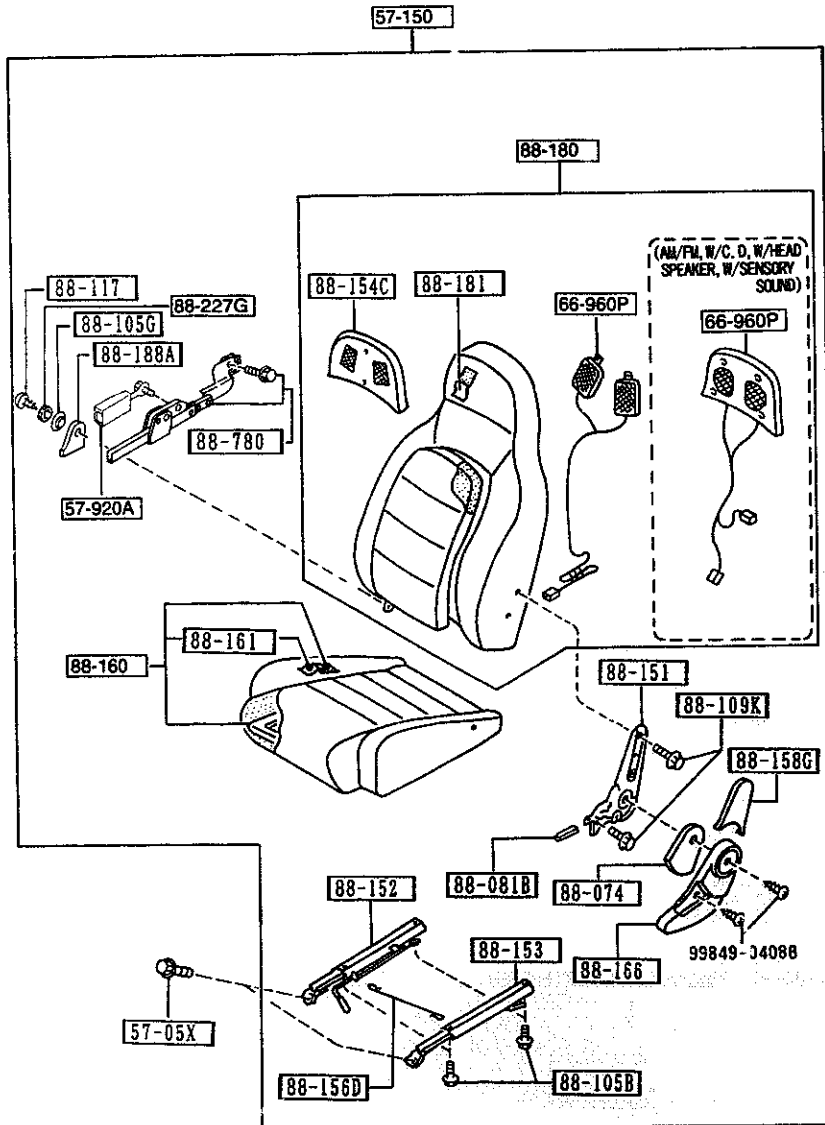
PART NO	QTY	MODEL/RESTRICTION	MODEL/RESTRICTION	MODEL/RESTRICTION	FIG. NO
+-----+   64-999A   +-----+ W201-64-999	10	SCREW, TAPPING			

SEAT TYPES	STA TYPE	STB TYPE	STC TYPE
SPECIFICATIONS	CLOTH	LEATHER (W/O CAR NAME)	LEATHER (W/ CAR NAME)
SEAT TRIM			

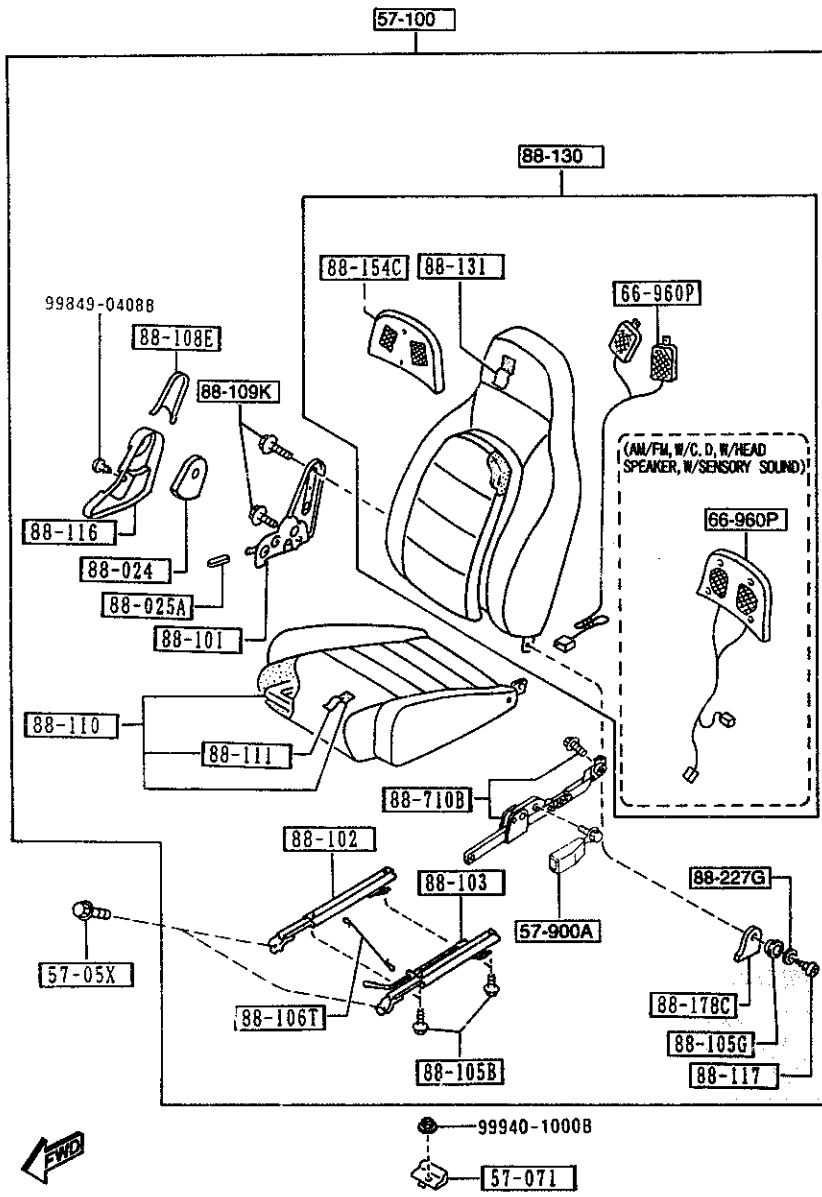


AUNA06

AUNA06



AUNA06

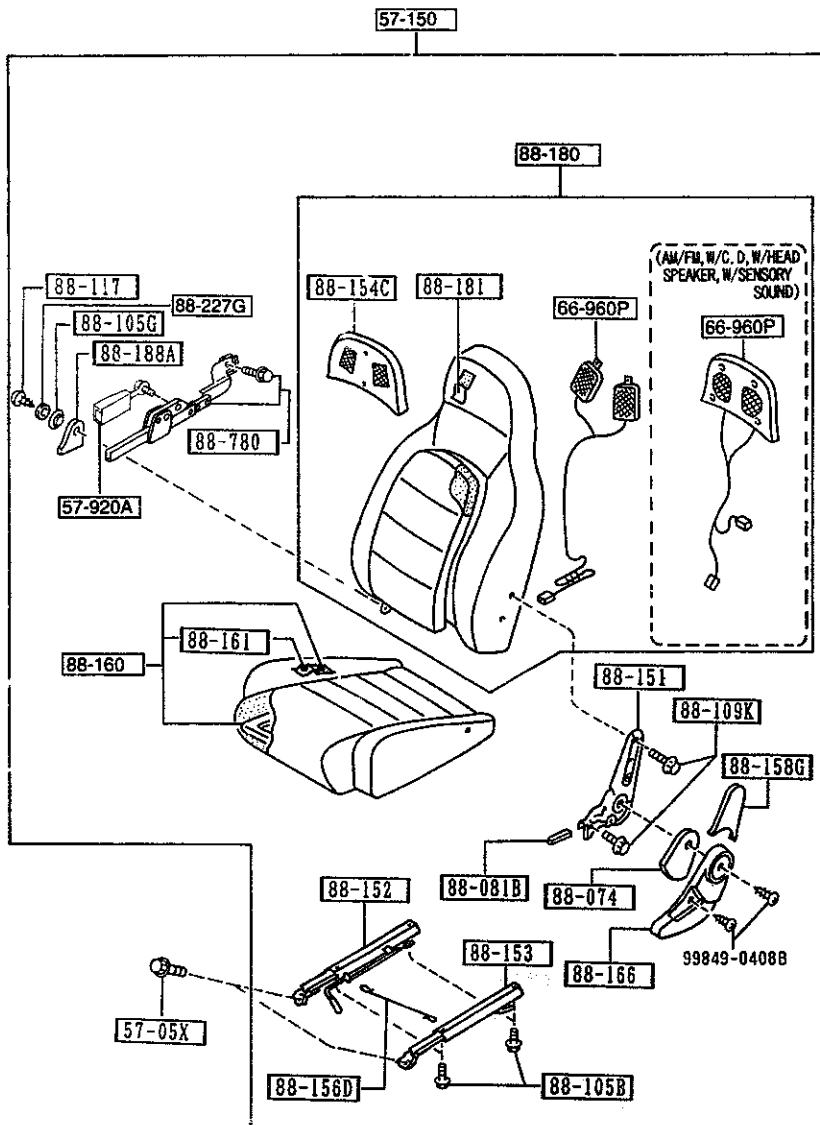


PART NO.	QTY	MODEL/RESTRICTION	MODEL/RESTRICTION	MODEL/RESTRICTION	FROM-TO
57-05X		BOLT, LINK			
B455-57-05XB	8				
57-071		BRACKET, SEAT LOCK-RR			
NA75-57-071	1				
57-100		SEAT(R), FRONT			
NB40-57-100	1	(STA TYPE+W/O AUDIO)			-6801
		(STA TYPE+AM/FM, W/O C. D. W/O HEAD SPEAKER)			
00	INT-	NA3 BLACK			
NB41-57-100	1	(STA TYPE+AM/FM, W/O C. D. W/HEAD SPEAKER)			-6801
00	INT-	NA3 BLACK			
NB42-57-100	1	(STA TYPE+AM/FM, W/C. D. W/HEAD SPEAKER, W/SENSORY SOUND)			-6801
00	INT-	NA3 BLACK			
NB43-57-100	1	(STB TYPE+AM/FM, W/O C. D. W/HEAD SPEAKER)			-6801
88	INT-	NA4 NA5 TAN			
NB44-57-100	1	(STB TYPE+AM/FM, W/C. D. W/HEAD SPEAKER, W/SENSORY SOUND)			-6801
88	INT-	NA4 NA5 TAN			
NB47-57-100	1	(STC TYPE)			-6801
88	INT-	NA5 TAN			
NB47-57-100B	1	(STC TYPE)			6801-6C01
88	INT-	NA5 TAN			
NB40-57-100A	1	(STA TYPE+W/O AUDIO)			6801-7301
		(STA TYPE+AM/FM, W/O C. D. W/O HEAD SPEAKER)			
00	INT-	NA3 BLACK			
NB41-57-100A	1	(STA TYPE+AM/FM, W/O C. D. W/HEAD SPEAKER)			6801-7301
00	INT-	NA3 BLACK			
NB42-57-100A	1	(STA TYPE+AM/FM, W/C. D. W/HEAD SPEAKER, W/SENSORY SOUND)			6801-7301
00	INT-	NA3 BLACK			
6801 NA35*V-719630 6C01 NA35*V-725591 7301 NA35*V-732210					

AUNA06

CAT. AUNA06-03

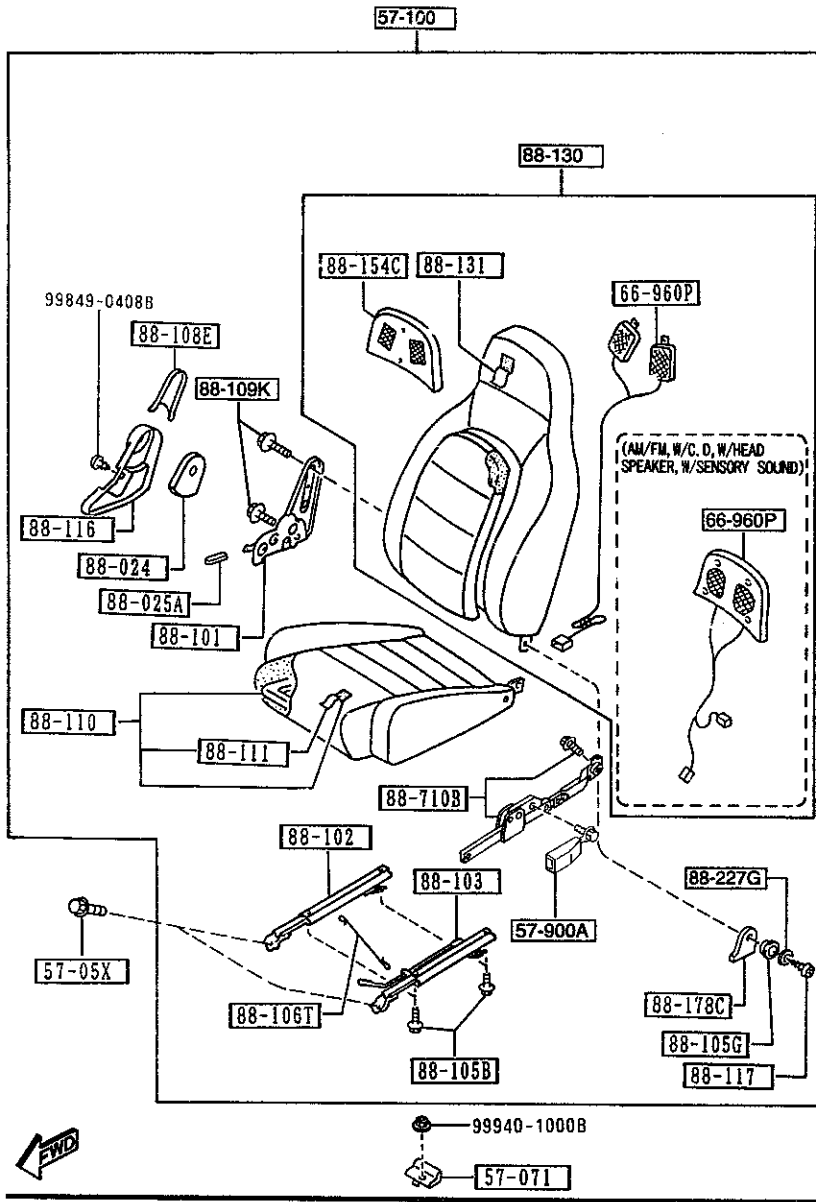
1998-07



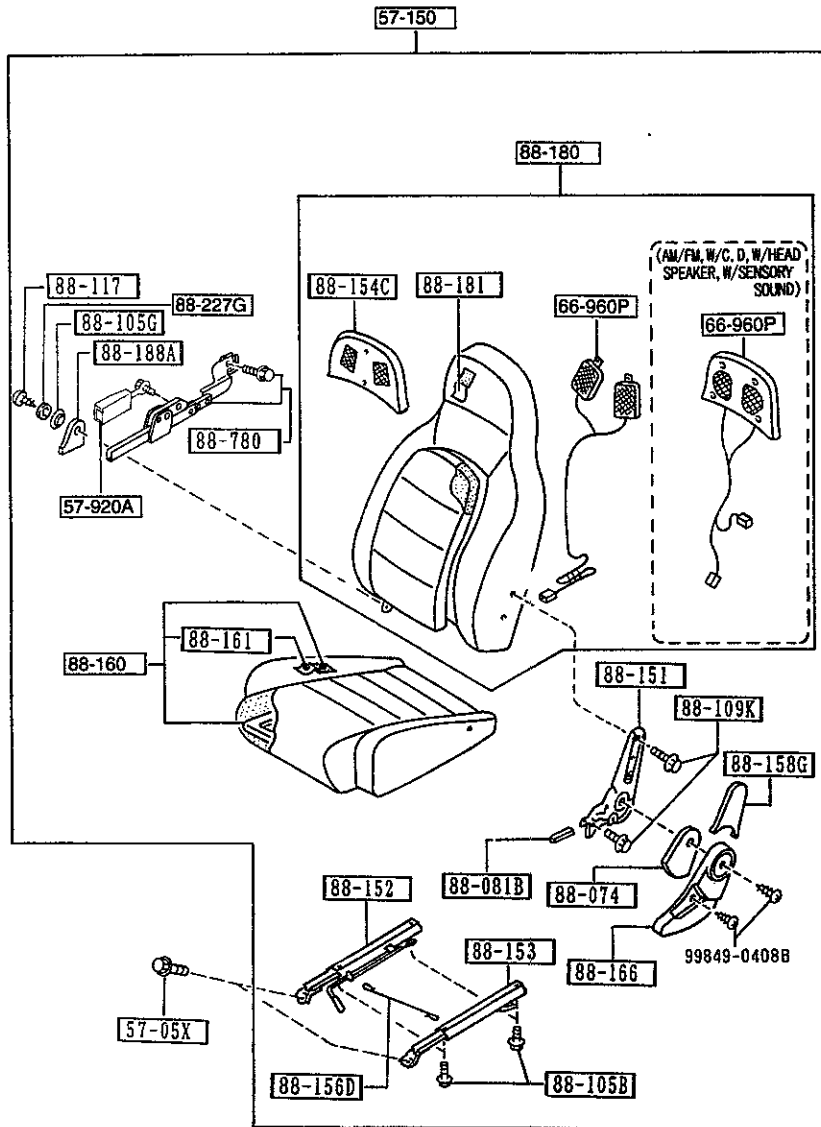
5700 -2 SEATS

PART NO.	QTY	MODEL/RESTRICTION	MODEL/RESTRICTION	MODEL/RESTRICTION	FIGURE
CONT'D					
NB43-57-100B	1	(STB TYPE+AM/FM,W/O C.D,W/HEAD SPEAKER)			6801-7301
88	INT-	NA4 NA5 TAN			
NB44-57-100B	1	(STB TYPE+AM/FM,W/C. D,W/HEAD SPEAKER, W/SENSORY SOUND)			6801-7301
88	INT-	NA4 NA5 TAN			
NB49-57-100	1	(STC TYPE)			6C01-7301
88	INT-	NA5 TAN			
NB40-57-100E	1	(STA TYPE+W/O AUDIO)			7301-
00	INT-	NA3 BLACK			
NB41-57-100G	1	(STA TYPE+AM/FM,W/O C.D,W/HEAD SPEAKER)			7301-
00	INT-	NA3 BLACK			
NB42-57-100F	1	(STA TYPE+AM/FM,W/C. D,W/HEAD SPEAKER, W/SENSORY SOUND)			7301-
00	INT-	NA3 BLACK			
NB43-57-100D	1	(STB TYPE+AM/FM,W/O C. D,W/HEAD SPEAKER)			7301-
88	INT-	NA4 NA5 TAN			
NB44-57-100C	1	(STB TYPE+AM/FM,W/C. D,W/HEAD SPEAKER, W/SENSORY SOUND)			7301-
88	INT-	NA4 NA5 TAN			
NB49-57-100A	1	(STC TYPE)			7301-
88	INT-	NA5 TAN			
57-150		SEAT(L),FRONT			
NB40-57-150	1	(STA TYPE+W/O AUDIO)			-6801
00	INT-	NA3 BLACK			
NB41-57-150	1	(STA TYPE+AM/FM,W/O C.D,W/HEAD SPEAKER)			-6801
00	INT-	NA3 BLACK			
NB42-57-150	1	(STA TYPE+AM/FM,W/C. D,W/HEAD SPEAKER, W/SENSORY SOUND)			-6801
6801		NA35*V-719630			
6C01		NA35*V-725591			
7301		NA35*V-732210			





PART NO.	QTY	MODEL/RESTRICTION	MODEL/RESTRICTION	MODEL/RESTRICTION	FROM-TO
CONT'D					
00	INT-	NA3 BLACK			
NB43-57-150	1	(STB TYPE+AM/FM,W/O C.D,W/HEAD SPEAKER)			-6801
88	INT-	NA4 NA5 TAN			
NB44-57-150	1	(STB TYPE+AM/FM,W/C. D,W/HEAD SPEAKER, W/ SENSORY SOUND)			-6801
88	INT-	NA4 NA5 TAN			
NB47-57-150	1	(STC TYPE)			-6801
88	INT-	NA5 TAN			
NB47-57-150B	1	(STC TYPE)			6801-6C01
88	INT-	NA5 TAN			
NB40-57-150A	1	(STA TYPE+W/O AUDIO)			6801-7301
		(STA TYPE+AM/FM,W/O C.D,W/O HEAD SPEAKER )			
00	INT-	NA3 BLACK			
NB41-57-150A	1	(STA TYPE+AM/FM,W/O C.D,W/HEAD SPEAKER)			6801-7301
00	INT-	NA3 BLACK			
NB42-57-150A	1	(STA TYPE+AM/FM,W/C. D,W/HEAD SPEAKER, W/ SENSORY SOUND)			6801-7301
00	INT-	NA3 BLACK			
NB43-57-150B	1	(STB TYPE+AM/FM,W/O C.D,W/HEAD SPEAKER)			6801-7301
88	INT-	NA4 NA5 TAN			
NB44-57-150B	1	(STB TYPE+AM/FM,W/C. D,W/HEAD SPEAKER, W/ SENSORY SOUND)			6801-7301
88	INT-	NA4 NA5 TAN			
NB49-57-150	1	(STC TYPE)			6C01-7301
88	INT-	NA5 TAN			
NB40-57-150E	1	(STA TYPE+W/O AUDIO)			7301-
		(STA TYPE+AM/FM,W/O C.D,W/O HEAD SPEAKER )			
00	INT-	NA3 BLACK			
NB41-57-150G	1	(STA TYPE+AM/FM,W/O C.D,W/HEAD SPEAKER)			7301-
00	INT-	NA3 BLACK			
6801 NA35*V-719630 6C01 NA35*V-725591 7301 NA35*V-732210					



PART NO.	QTY	MODEL/RESTRICTION	MODEL/RESTRICTION	MODEL/RESTRICTION	FROM-TO
CONT'D					
NB42-57-150F	1	(STA TYPE+AM/FM,W/C, D,W/HEAD SPEAKER, W/ SENSORY SOUND)			7301-
00	INT-	NA3 BLACK			
NB43-57-150D	1	(STB TYPE+AM/FM,W/D C.D,W/HEAD SPEAKER)			7301-
88	INT-	NA4 NA5 TAN			
NB44-57-150C	1	(STB TYPE+AM/FM,W/C, D,W/HEAD SPEAKER, W/ SENSORY SOUND)			7301-
88	INT-	NA4 NA5 TAN			
NB49-57-150A	1	(STC TYPE)			7301-
88	INT-	NA5 TAN			
+-----+					
57-900A		BELT'A'(R),FRT SEAT			
+-----+					
NA75-57-620	1				
00	INT-	NA3 NA4 NA5 NA7 NAB BLACK			
+-----+					
57-920A		BELT'A'(L),FRT SEAT			
+-----+					
NA75-57-680A	1				
00	INT-	NA3 NA4 NA5 NA7 NAB BLACK			
+-----+					
66-960P		SPEAKER,PILLOW-SEAT			
+-----+					
NB11-66-960	2	(AM/FM,W/C,D,W/HEAD SPEAKER, W/SENSORY SOUND)			
NB38-66-960	2	(AM/FM,W/D C.D,W/HEAD SPEAKER)			-7301
AN(NB38-66-960A)					
NB38-66-960A	2	(AM/FM,W/D C.D,W/HEAD SPEAKER)			7301-
+-----+					
88-024		PROTR(R),SEAT BELT			
+-----+					
NA01-88-033	1				
+-----+					
88-025A		KNOB(R),KNUCKLE			
+-----+					
NA01-88-034	1				
00	INT-	NA3 NA7 NAB BLACK			
88	INT-	NA4 NA5 TAN			
+-----+					
88-074		PROTR(L),SEAT BELT			
+-----+					
NA01-88-083	1				
7301 NA35*V-732210					

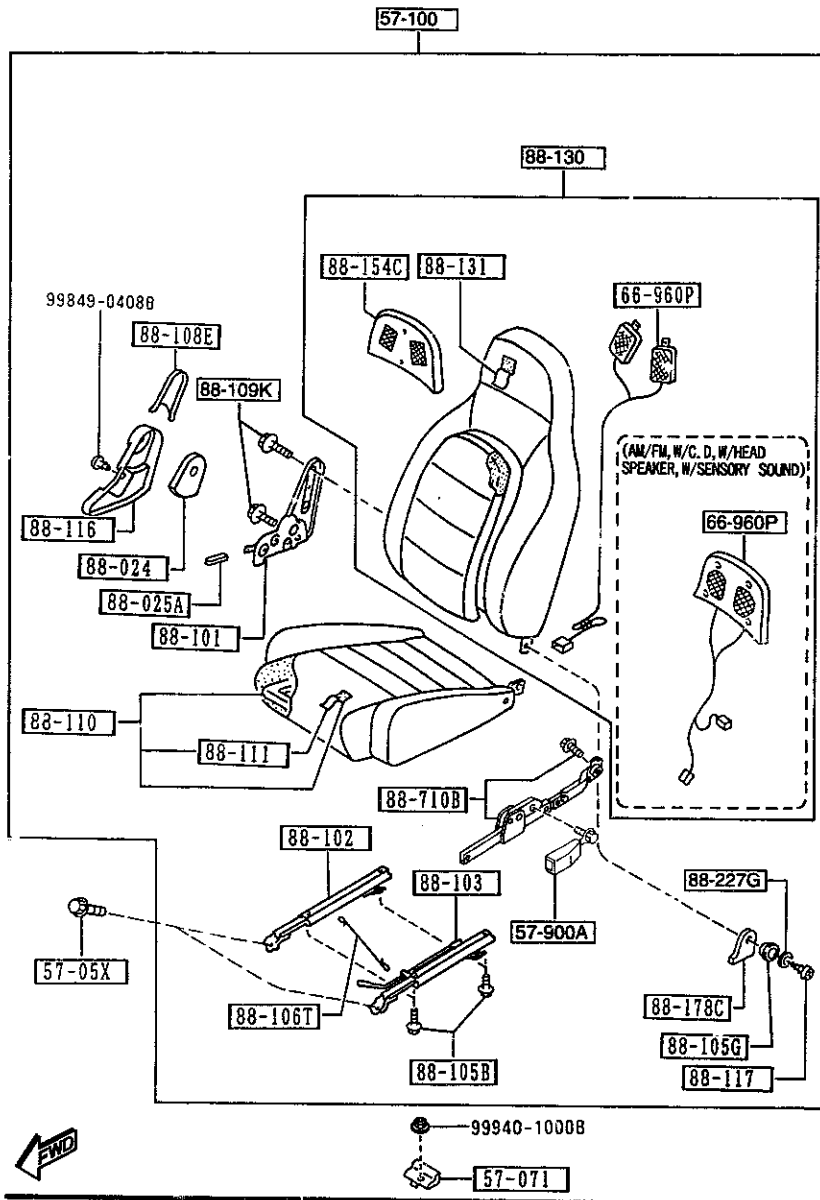
AUNA06

CAT. AUNA06-03

1998-07

2-K15



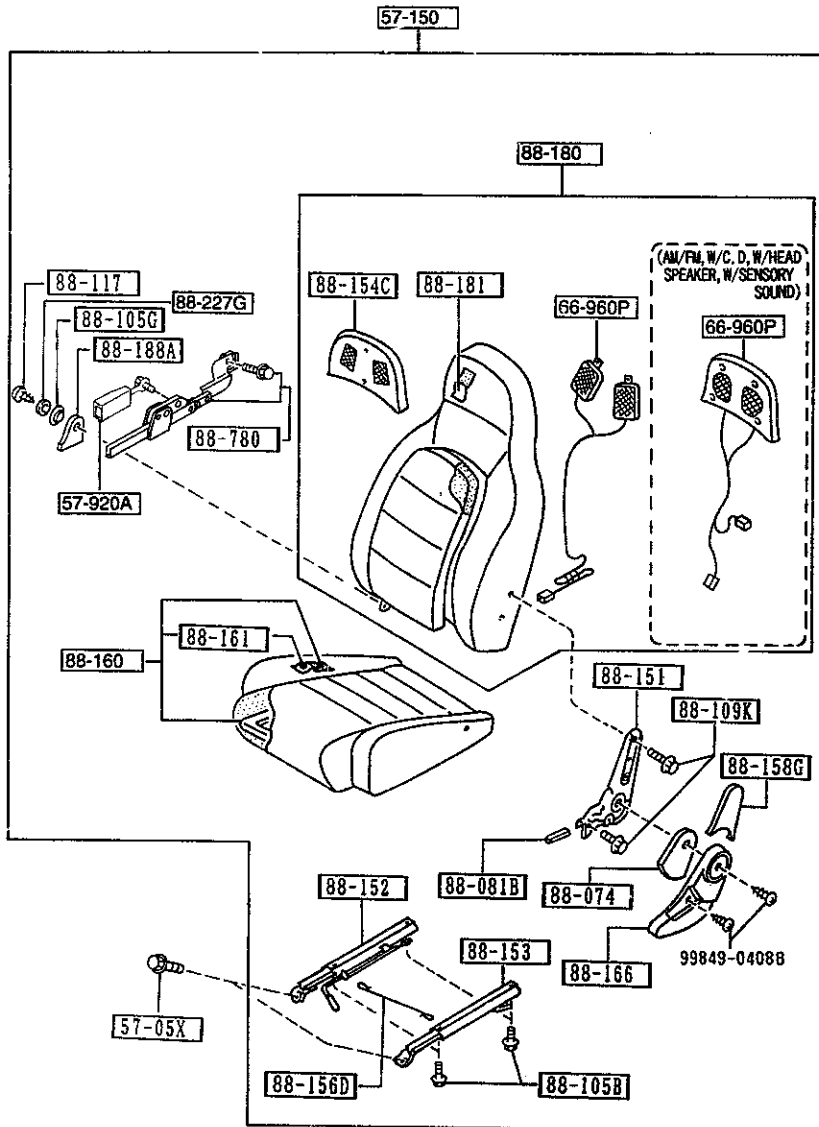


PART NO.	QTY	MODEL/RESTRICTION	MODEL/RESTRICTION	MODEL/RESTRICTION	FROM-TO
88-081B		KNOB(L), KNUCKLE			
NA01-88-084	1				
00	INT-	NA3 NA7 NA8 BLACK			
88	INT-	NA4 NA5 TAN			
88-101		KNUCKLE(R), RECLINING			
NA01-88-101A	1				
88-102		ADJUSTER, NO.1			
NA01-88-102A	1				
88-103		ADJUSTER, NO.2			
NA75-88-103	1				
88-105B		BOLT, LINK			
H260-88-105	8				
88-105G		BUSH, HINGE			
H260-88-108	2				
02	INT-	NA3 NA4 NA5 NA6 NA7 NA8 BLACK			-6A01
NA75-88-108	2				6A01-
88-106T		WIRE, CONNECT			
NA01-88-106	1				
88-108E		COVER(R), SEAT BACK			
NA01-88-036	1				
00	INT-	NA3 NA7 NA8 BLACK			
88	INT-	NA4 NA5 TAN			
88-109K		SCREW, KNUCKLE			
H260-88-109	8				
88-110		CUSHION(R), FRT SEAT			
N043-88-110	1	F-SV, L-PKG, (STB TYPE) (STC TYPE)			
88	INT-	NA4 NA5 TAN			
N041-88-110	1	BASE, P.E.GR, R-PKG, T-PKG,			-7301
6A01 NA35*V-720311 7301 NA35*V-732210					

AUNA06

CAT. AUNA06-03

1998-07

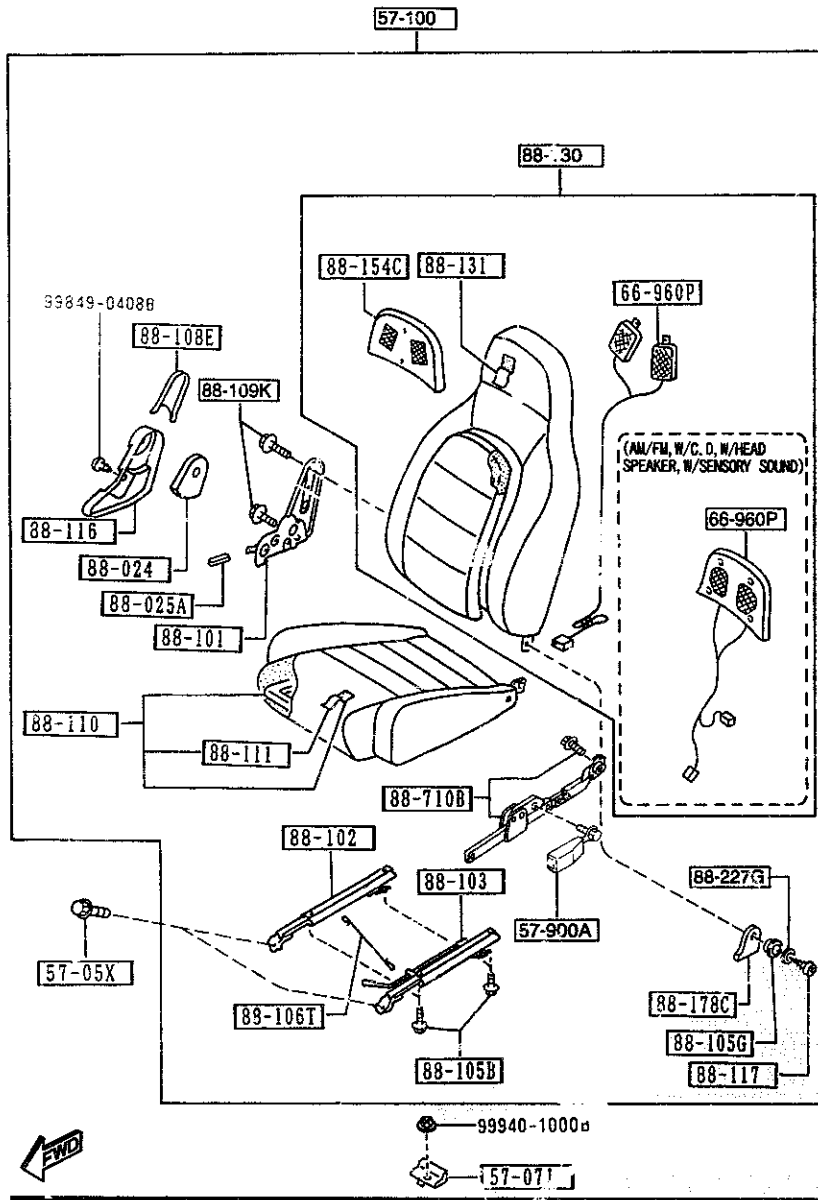


PART NO.	QTY	MODEL/RESTRICTION	MODEL/RESTRICTION	MODEL/RESTRICTION	FROM TO
CONT'D		(STA TYPE)			
00	INT-	NA3 BLACK			
N041-88-110A	1	BASE, P.E.GR, R-PKG, T-PKG, (STA TYPE)			7301-
00	INT-	NA3 BLACK			
88-111		TRIM(R), SEAT CUSHION			
N043-88-111	1	F-SV, L-PKG, (STB TYPE) (STC TYPE)			
88	INT-	NA4 NA5 TAN			
N041-88-111	1	BASE, P.E.GR, R-PKG, T-PKG, (STA TYPE)			-7301
00	INT-	NA3 BLACK			
N041-88-111A	1	BASE, P.E.GR, R-PKG, T-PKG, (STA TYPE)			7301-
00	INT-	NA3 BLACK			
88-116		COVER(R), KNUCKLE			
NA01-88-031	1				
00	INT-	NA3 NA7 NA8 BLACK			
88	INT-	NA4 NA5 TAN			
88-117		SCREW, KNUCKLE			
H260-88-107	2				
88-130		BACK(R), FRONT SEAT			
NB43-88-130	1	(STB TYPE+AM/FM, W/O C.D, W/HEAD SPEAKER)			-6801
88	INT-	NA4 NA5 TAN			
NB44-88-130	1	(STB TYPE+AM/FM, W/C, D, W/HEAD SPEAKER, W/SENSORY SOUND)			-6801
88	INT-	NA4 NA5 TAN			
NB47-88-130	1	(STC TYPE)			-6801
88	INT-	NA4 NA5 TAN			
NB40-88-130	1	(STA TYPE+W/O AUDIO)			-7301
		(STA TYPE+AM/FM, W/O C.D, W/O HEAD SPEAKER)			
6801		NA35*V-719630			
7301		NA35*V-732210			

ALUNA06

CAT. AUNA06-03

1998-07



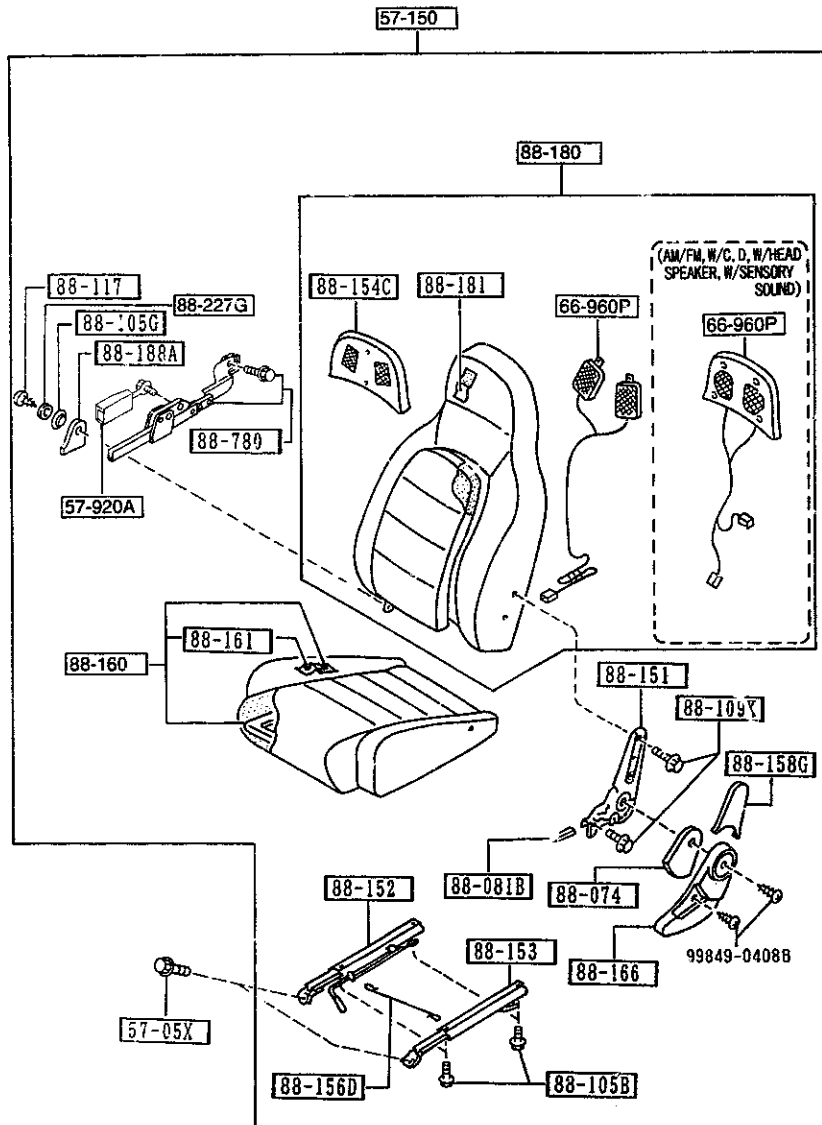
5700 -7 SEATS

PART NO.	QTY	MODEL /RESTRICTION	MODEL /RESTRICTION	MODEL /RESTRICTION	FIGURE
CONT'D					
00	INT-	NA3 BLACK			
NB41-88-130	1	(STA TYPE+AM/FM,W/O C.D,W/HEAD SPEAKER)			-7301
00	INT-	NA3 BLACK			
NB42-88-130	1	(STA TYPE+AM/FM,W/C, D,W/HEAD SPEAKER, W/ SENSORY SOUND)			-7301
00	INT-	NA3 BLACK			
NB44-88-130A	1	(STB TYPE+AM/FM,W/C, D,W/HEAD SPEAKER, W/ SENSORY SOUND)			6801-
88	INT-	NA4 NA5 TAN			
NB47-88-130A	1	(STC TYPE)			6801-6C01
88	INT-	NA4 NA5 TAN			
NB43-88-130A	1	(STB TYPE+AM/FM,W/O C.D,W/HEAD SPEAKER)			6801-7301
88	INT-	NA4 NA5 TAN			
NB49-88-130	1	(STC TYPE)			6C01-
88	INT-	NA5 TAN			
NB43-88-130B	1	(STB TYPE+AM/FM,W/O C.D,W/HEAD SPEAKER)			7301-
88	INT-	NA4 NA5 TAN			
NC00-88-130A	1	(STA TYPE+AM/FM,W/O C.D,W/HEAD SPEAKER)			7301-
00	INT-	NA3 BLACK			
NC01-88-130	1	(STA TYPE+AM/FM,W/C, D,W/HEAD SPEAKER, W/ SENSORY SOUND)			7301-
00	INT-	NA3 BLACK			
NC02-88-130	1	(STA TYPE+W/O AUDIO)			7301-
00	INT-	NA3 BLACK			
88-131		TRIM(R),SEAT BACK			
NB43-88-131	1	(STB TYPE+AM/FM,W/O C.D,W/HEAD SPEAKER)			-6801
88	INT-	NA4 NA5 TAN			
NB44-88-131	1	(STB TYPE+AM/FM,W/C, D,W/HEAD SPEAKER, W/ SENSORY SOUND)			-6801
6801 NA35*V-719630 6C01 NA35*V-725591 7301 NA35*V-732210					

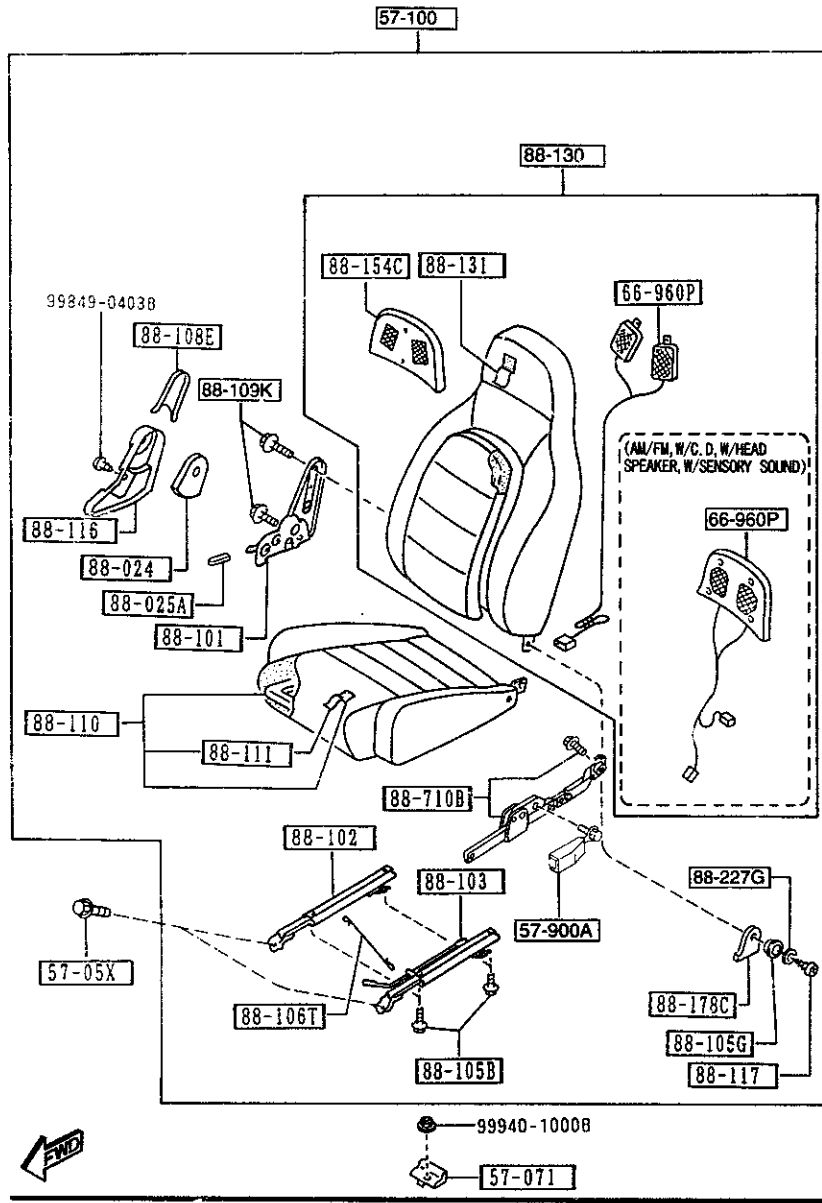
AUNA06

CA. AUNA06-03

1998-07



PART NO.	QTY	MODEL/RESTRICTION	MODEL/RESTRICTION	MODEL/RESTRICTION	FORM-TO
CONT'D					
88	INT-	NA4 NA5 TAN			
NB47-88-131	1	(STC TYPE)			-6801
88	INT-	NA4 NA5 TAN			
NB40-88-131	1	(STA TYPE+W/O AUDIO)			-7301
		(STA TYPE+AM/FM,W/O C.D,W/O HEAD SPEAKER)			
		(STA TYPE+AM/FM,W/O C.D,W/HEAD SPEAKER)			
00	INT-	NA3 BLACK			
NR42-88-131	1	(STA TYPE+AM/FM,W/C, D,W/HEAD SPEAKER, W/ SENSORY SOUND)			-7301
00	INT-	NA3 BLACK			
NB43-88-131A	1	(STB TYPE+AM/FM,W/O C.D,W/HEAD SPEAKER)			6801-
88	INT-	NA4 NA5 TAN			
NB44-88-131A	1	(STB TYPE+AM/FM,W/C, D,W/HEAD SPEAKER, W/ SENSORY SOUND)			6801-
88	INT-	NA4 NA5 TAN			
NB47-88-131A	1	(STC TYPE)			6801-6801
88	INT-	NA4 NA5 TAN			
NB49-88-131	1	(STC TYPE)			6C01-
88	INT-	NA5 TAN			
NC00-88-131	1	(STA TYPE+W/O AUDIO)			7301-
		(STA TYPE+AM/FM,W/O C.D,W/O HEAD SPEAKER)			
		(STA TYPE+AM/FM,W/O C.D,W/HEAD SPEAKER)			
00	INT-	NA3 BLACK			
NC01-88-131	1	(STA TYPE+AM/FM,W/C, D,W/HEAD SPEAKER, W/ SENSORY SOUND)			7301-
00	INT-	NA3 BLACK			
		-----			
		88-151	KNUCKLE(L),RECLINING		
		-----			
NA01-88-151A	1				
		-----			
		88-151	ADJUSTER NO.3		
		-----			
NA01-88-152A	1				
6801 NA35*V-719630					
6C01 NA35*V-725591					
7301 NA35*V-732210					

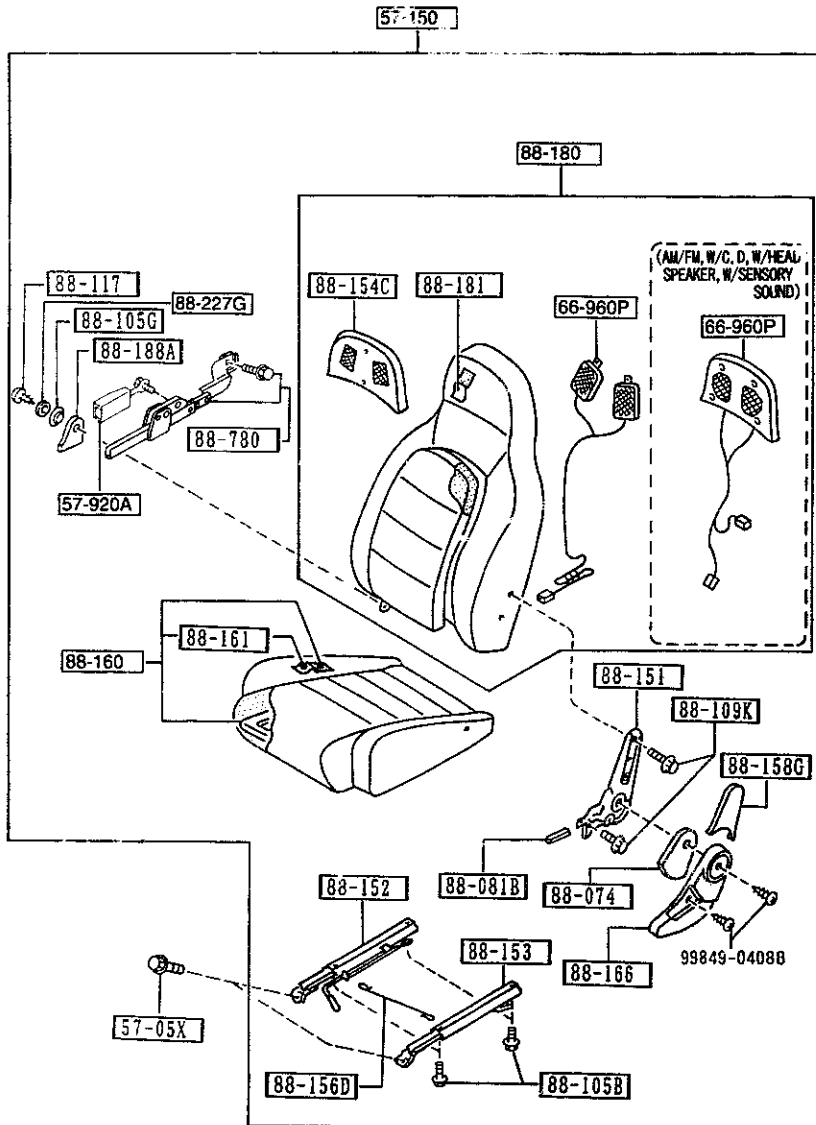


PART NO	QTY	MODEL/RESTRICTION	MODEL/RESTRICTION	MODEL/RESTRICTION	FROM TO
88-153		ADJUSTER NO.4			
NA01-88-153A	1				
88-154C		COVER, HEAD REST			
NA01-88-157	2	(W/O C.D.)			
88-156D		WIRE, CONNECT			
NA01-88-156	1				
88-158G		COVER(L), SEAT BACK			
NA01-88-086	1				
00	INT-	NA3 NA7 NA8 BLACK			
88	INT-	NA4 NA5 TAN			
88-160		CUSHION(L), FRT SEAT			
N043-88-160	1	F-SV, L-PKG, (STB TYPE) (STC TYPE)			
88	INT-	NA4 NA5 TAN			
N041-88-160	1	BASE, P.E.GR, R-PKG, T-PKG, (STA TYPE)			-7301
88	INT-	NA3 BLACK			
N041-88-160A	1	BASE, P.E.GR, R-PKG, T-PKG, (STA TYPE)			7301-
00	INT-	NA3 BLACK			
88-161		TRIM(L), SEAT CUSHION			
N043-88-161	1	F-SV, L-PKG, (STB TYPE) (STC TYPE)			
88	INT-	NA4 NA5 TAN			
N041-88-161	1	BASE, P.E.GR, R-PKG, T-PKG, (STA TYPE)			-7501
00	INT-	NA3 BLACK			
N041-88-161A	1	BASE, P.E.GR, R-PKG, T-PKG, (STA TYPE)			7301-
00	INT-	NA3 BLACK			
88-166		COVER(L), KNUCKLE			
7301 NA35*V-732210					

AUNA06

CAT. AUNA06-83

1998-07

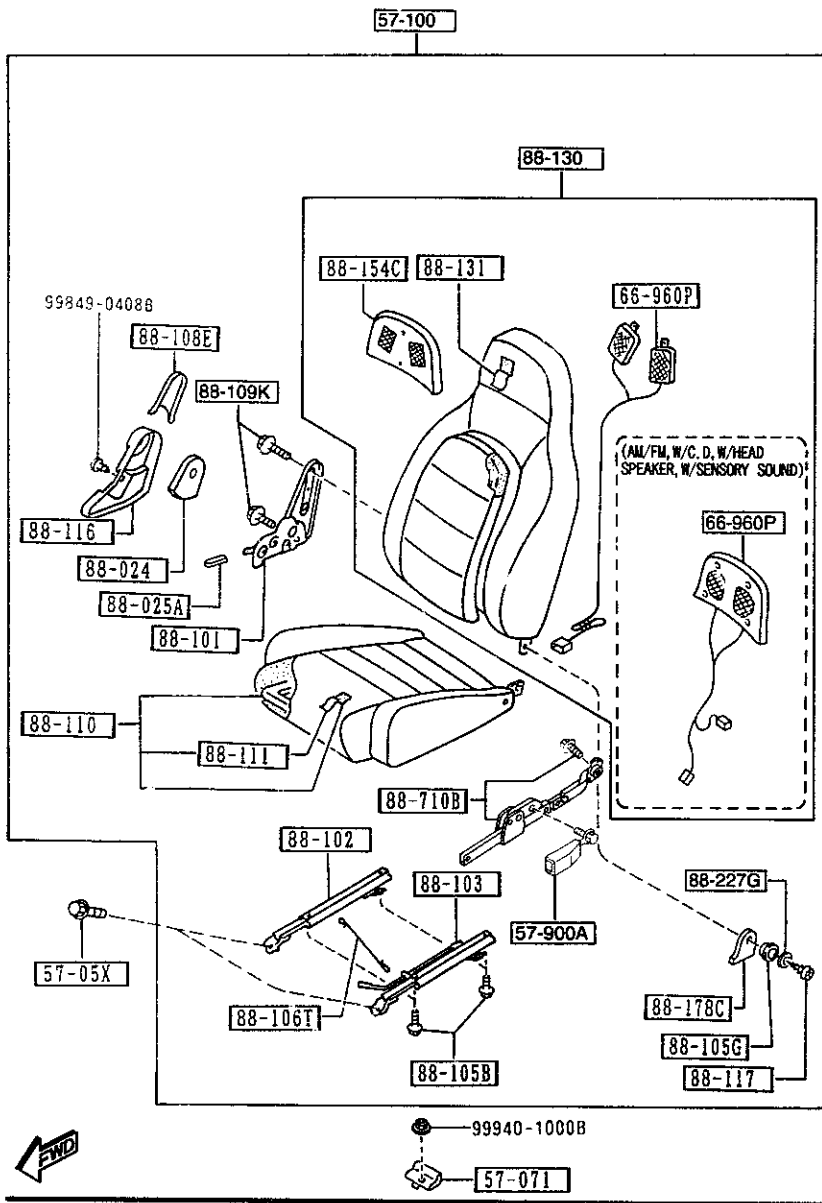


PART NO.	QTY	MODEL/RESTRICTION	MODEL/RESTRICTION	MODEL/RESTRICTION	FROM-TO
<b>CONT'D</b>					
NA01-88-081	1				
00	INT-	NA3 NA7 NA8 BLACK			
88	INT-	NA4 NA5 TAN			
		↑ 88-178C ↓			
		COVER(R),HINGE			
NA01-88-035	1				
00	INT-	NA3 NA7 NA8 BLACK			
88	INT-	NA4 NA5 TAN			
		↑ 88-180 ↓			
		BACK(L),FRONT SEAT			
NB43-88-180	1	(STB TYPE+AM/FM,W/O C.D,W/HEAD SPEAKER)			-6801
88	INT-	NA4 NA5 TAN			
NB44-88-180	1	(STB TYPE+AM/FM,W/C. D,W/HEAD SPEAKER, W/ SENSORY SOUND)			-6801
88	INT-	NA4 NA5 TAN			
NB47-88-180	1	(STC TYPE)			-6801
88	INT-	NA4 NA5 TAN			
NB40-88-180	1	(STA TYPE+W/O AUDIO)			-7301
		(STA TYPE+AM/FM,W/O C.D,W/O HEAD SPEAKER)			
00	INT-	NA3 BLACK			
NB41-88-180	1	(STA TYPE+AM/FM,W/G C.D,W/HEAD SPEAKER)			-7301
00	INT-	NA3 BLACK			
NB42-88-180	1	(STA TYPE+AM/FM,W/C. D,W/HEAD SPEAKER, W/ SENSORY SOUND)			-7301
00	INT-	NA3 BLACK			
NB44-88-180A	1	(STB TYPE+AM/FM,W/C. D,W/HEAD SPEAKER, W/ SENSORY SOUND)			6801-
88	INT-	NA4 NA5 TAN			
NB47-88-180A	1	(STC TYPE)			6801-6C01
88	INT-	NA4 NA5 TAN			
NB43-88-180A	1	(STB TYPE+AM/FM,W/O C.D,W/HEAD SPEAKER)			6801-7301
88	INT-	NA4 NA5 TAN			
NB49-88-180	1	(STC TYPE)			6C01-
6801 NA35*V-719630					
6C01 NA35*V-725591					
7301 NA35*V-732210					

AUNA06

CAT. AUNA06-03

1998-07

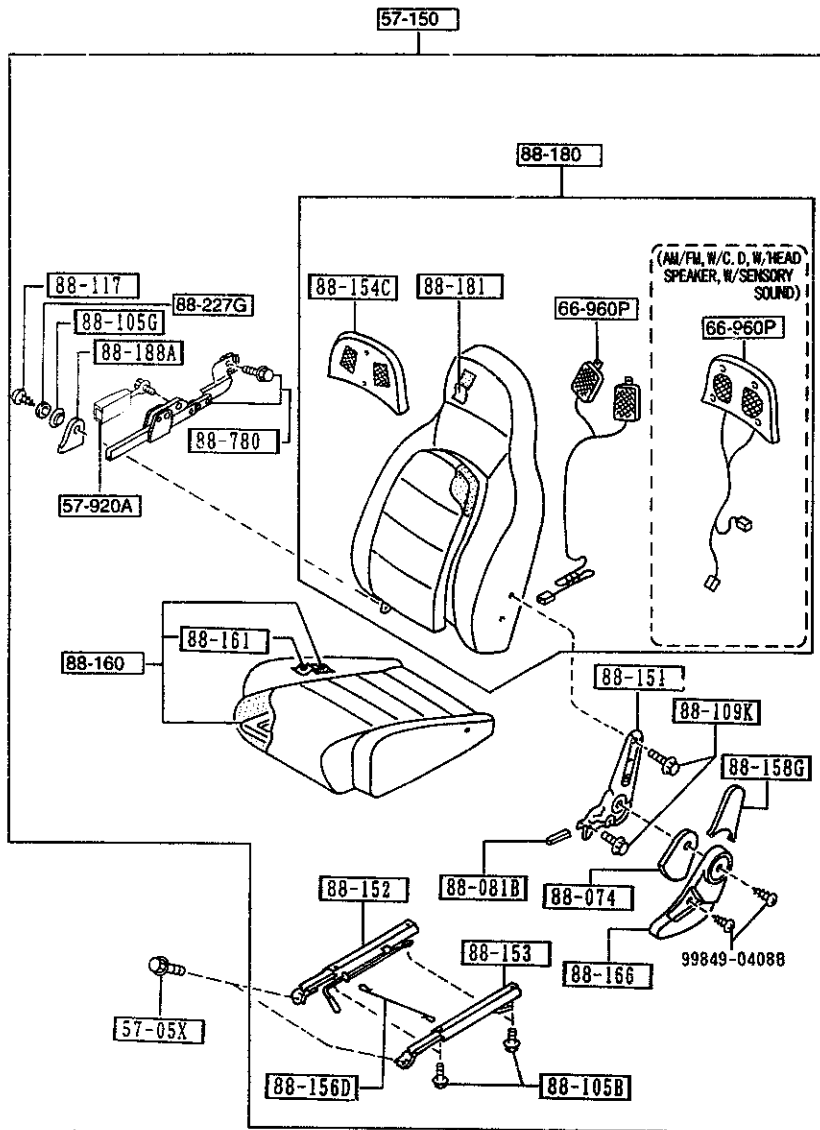


PART NO	QTY	MODEL/RESTRICTION	MODEL/RESTRICTION	MODEL/RESTRICTION	FRONT-10
CONT'D					
88	INT-	NA5 TAN			
NB43-88-180B	1	(STB TYPE+AM/FM, W/O C.D, W/HEAD SPEAKER)			7301-
88	INT-	NA4 NA5 TAN			
NC00-88-180A	1	(STA TYPE+AM/FM, W/O C.D, W/HEAD SPEAKER)			7301-
00	INT-	NA3 BLACK			
NC01-88-180	1	(STA TYPE+AM/FM, W/C. D, W/HEAD SPEAKER, W/ SENSORY SOUND)			7301-
00	INT-	NA3 BLACK			
NC02-88-180	1	(STA TYPE+W/O AUDIO)			7301-
		(STA TYPE+AM/FM, W/O C.D, W/O HEAD SPEAKER )			
00	INT-	NA3 BLACK			
		88-181	TRIM(L), SEAT BACK		
NB43-88-181	1	(STB TYPE+AM/FM, W/O C.D, W/HEAD SPEAKER)			-6801
88	INT-	NA4 NA5 TAN			
NB44-88-181	1	(STB TYPE+AM/FM, W/C. D, W/HEAD SPEAKER, W/ SENSORY SOUND)			-6801
88	INT-	NA4 NA5 TAN			
NB47-88-181	1	(STC TYPE)			-6801
88	INT-	NA4 NA5 TAN			
NB40-88-181	1	(STA TYPE+W/O AUDIO)			-7301
		(STA TYPE+AM/FM, W/O C.D, W/O HEAD SPEAKER )			
		(STA TYPE+AM/FM, W/O C.D, W/HEAD SPEAKER)			
00	INT-	NA3 BLACK			
NB42-88-181	1	(STA TYPE+AM/FM, W/C. D, W/HEAD SPEAKER, W/ SENSORY SOUND)			-7301
00	INT-	NA3 BLACK			
NB43-88-181A	1	(STB TYPE+AM/FM, W/O C.D, W/HEAD SPEAKER)			6801-
88	INT-	NA4 NA5 TAN			
NB44-88-181A	1	(STB TYPE+AM/FM, W/C. D, W/HEAD SPEAKER, W/			6801-
6801 NA35*V-719630					
7301 NA35*V-732210					

AUNA06

CAT. AUNA06-03

1998-07



PART NO.	QTY	MODEL/RESTRICTION	MODEL/RESTRICTION	MODEL/RESTRICTION	FROM TO
CONT'D					
		SENSORY SOUND)			
86	INT-	NA4 NA5 TAN			
NB47-88-181A	1	(STC TYPE)			6801-6C01
88	INT-	NA4 NA5 TAN			
NB49-88-181	1	(STC TYPE)			6C01-
88	INT-	NA5 TAN			
NC00-88-181	1	(STA TYPE+W/O AUDIO)			7301-
		(STA TYPE+AM/FM,W/O C.D,W/O HEAD SPEAKER)			
		(STA TYPE+AM/FM,W/O C.D,W/HEAD SPEAKER)			
00	INT-	NA3 BLACK			
NC01-88-181	1	(STA TYPE+AM/FM,W/C D,W/HEAD SPEAKER, W/ SENSORY SOUND)			7301-
00	INT-	NA3 BLACK			
		88-188A			
		COVER(L),HINGE			
NA01-88-085	1				
00	INT-	NA3 NA7 NA8 BLACK			
88	INT-	NA4 NA5 TAN			
		88-227G			
		SILENCER			
*MH261-88-139	2				-6A01
*N041-88-049	2				7301-
		88-710B			
		ANCHOR UNIT(R),BELT			
NA75-88-710	1				
		88-780			
		ANCHOR UNIT(L),BELT			
NA75-88-760	1				
6801	NA35*V-	719630			
6A01	NA35*V-	720311			
6C01	NA35*V-	725591			
7301	NA35*V-	732210			



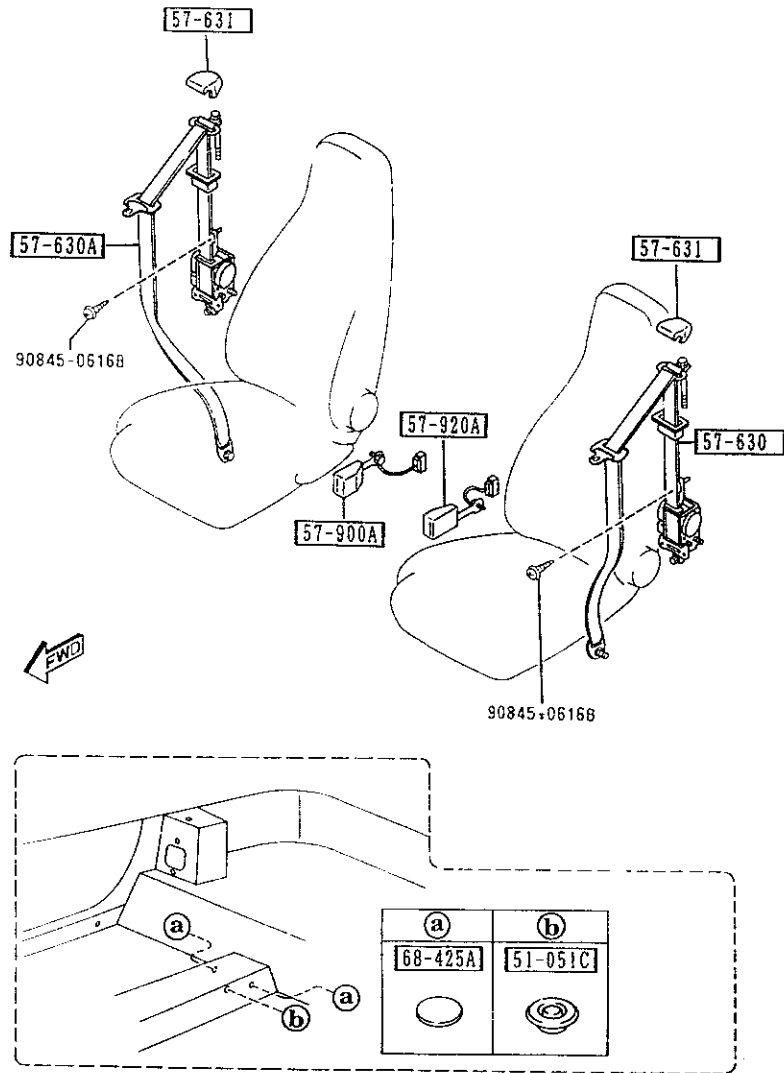
AUNA06

CAT. AUNA06-03

1998-07



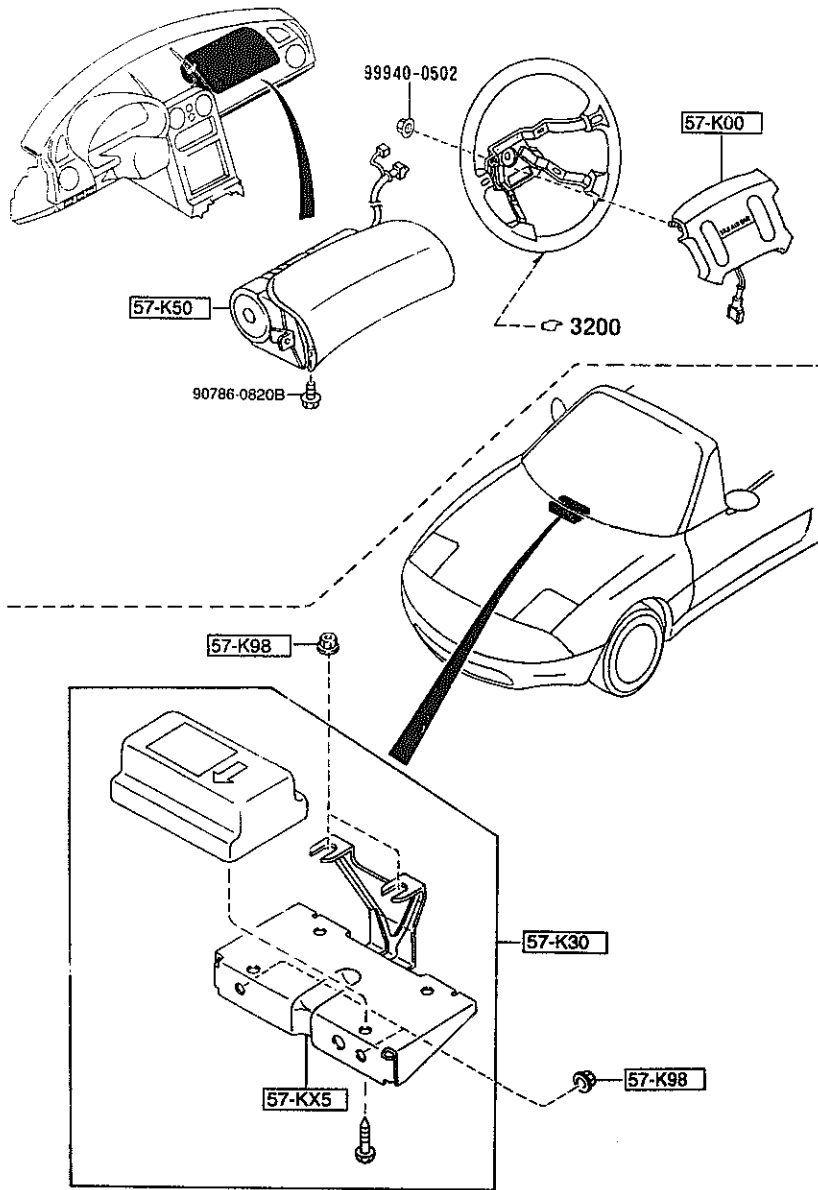
5790 SEAT BELTS



5790 -1 \* SEAT BELTS

PART NO.	QTY	MODEL/RESTRICTION	MODEL/RESTRICTION	MODEL/RESTRICTION	FROM-TO
51-051C		PLUG,HOLE			
BR70-51-264	1				
57-630		BELT*B*,FRT SEAT			
NB38-57-630A	1				
00	INT-	NA3 BLACK			
88	INT-	NA4 NA5 TAN/BLACK			
57-630A		BELT*B*(R),FRT SEAT			
NA75-57-630G	1				
00	INT-	NA3 BLACK			
88	INT-	NA4 NA5 TAN			
57-631		COVER,ANCHOR			
N026-57-631	2				
00	INT-	NA3 NA4 NA5 NA6 NA7 NA8 BLACK			
57-900A		BELT*A*(R),FRT SEAT			
NA75-57-620	1				
00	INT-	NA3 NA4 NA5 NA7 NA8 BLACK			
57-920A		BELT*A*(L),FRT SEAT			
NA75-57-680A	1				
00	INT-	NA3 NA4 NA5 NA7 NA8 BLACK			
68-425A		COVER,HOLE			
LA01-57-425A	2				

5795 AIR BAG



5795 -1 \* AIR BAG

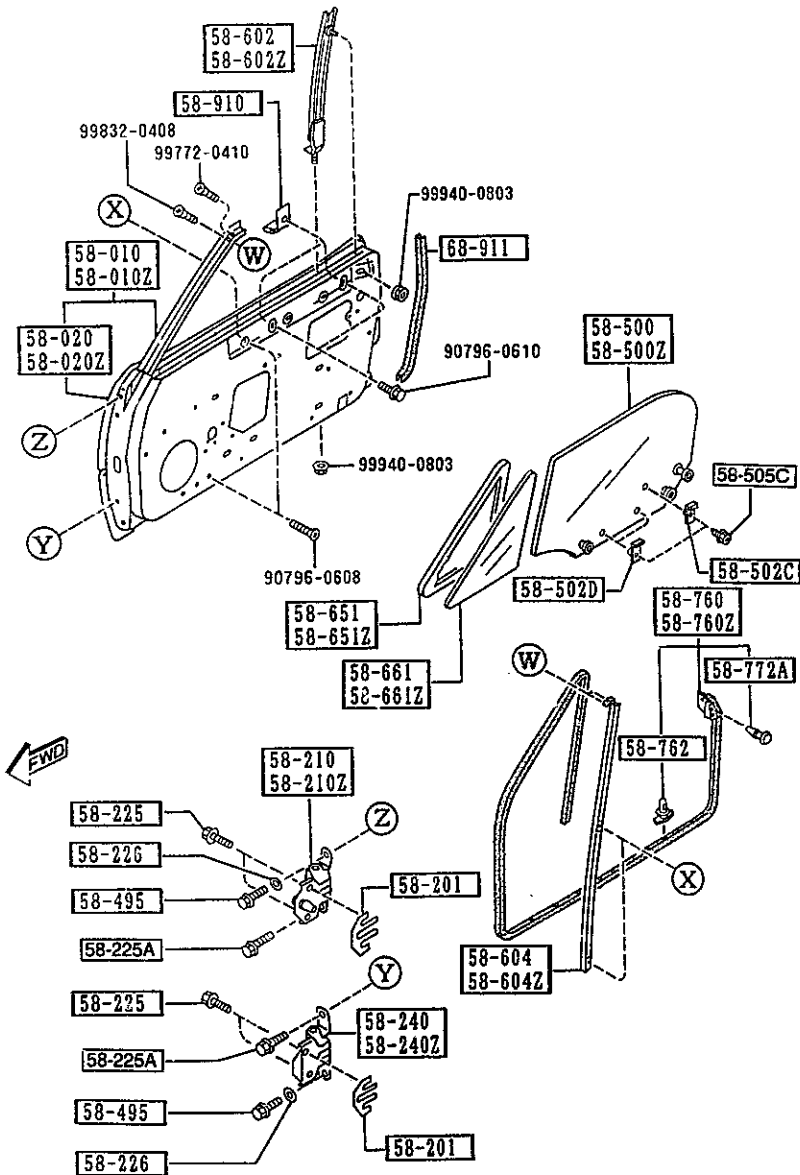
PART NO	QTY	MODEL/RESTRICTION	MODEL/RESTRICTION	MODEL/RESTRICTION	FROM-TO
↑ 57-KX5 ↓		BRKT,AIR BAG MODULE			
N034-57-KX0A	1				
↑ 57-K00 ↓		MODULE,AIR BAG			
NB11-57-K00	1				
00	INT-	NA3 NA4 NA5 NA6 NA7 NAB BLACK			
↑ 57-K30 ↓		UNIT,SAS			
N034-57-K3XC	1				
↑ 57-K50 ↓		MODULE,AIR BAG PASSE NGER			
NB11-57-K7X	1				
00	INT-	NA3 NA4 NA5 NA6 NA7 NAB BLACK			
↑ 57-K98 ↓		NUT			
FC66-57-K98	4				

AUNA06

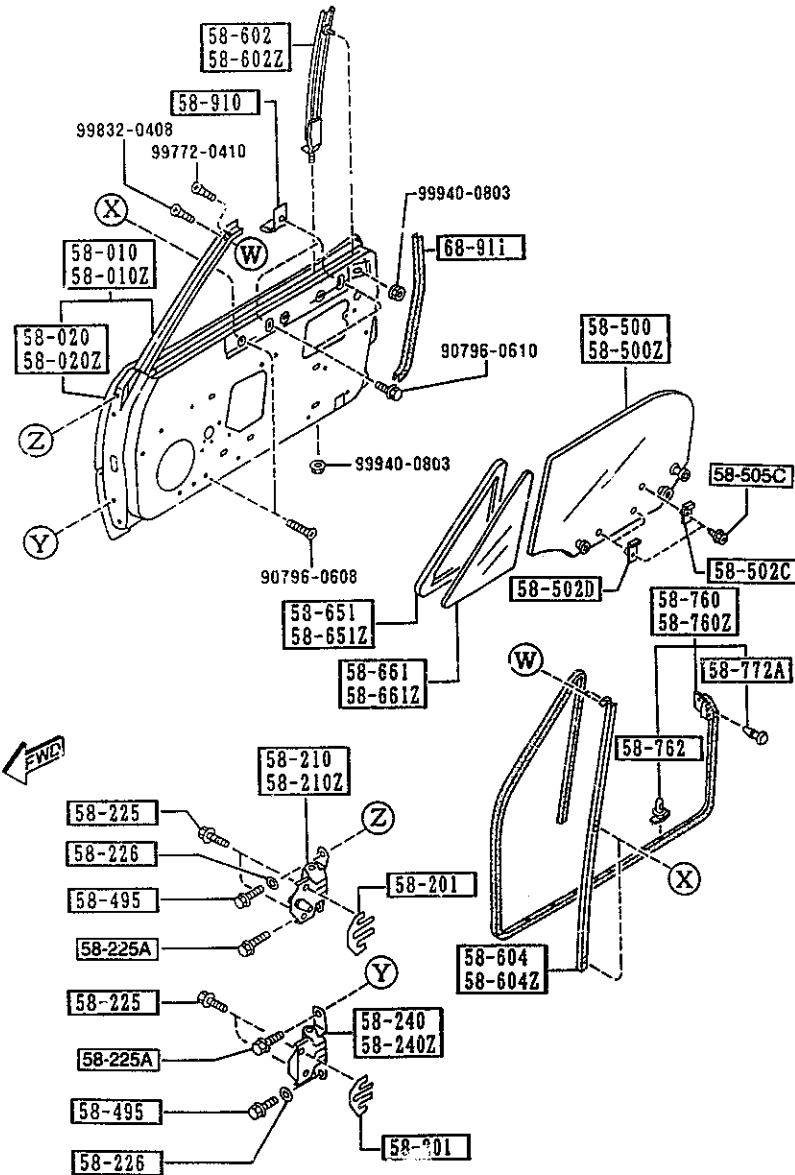
CAT. AUNA06-03

1998-07





PART NO.	QTY	MODEL/RESTRICTION	MODEL/RESTRICTION	MODEL/RESTRICTION	FROM TO
CONT'D					
BA54-58-225	4				
58-500		GLASS(P), DOOR-FRT			
NB39-58-510	1				
58-500Z		GLASS(L), DOOR-FRT			
NB39-59-510	1				
58-502C		GROMMET, SCREW			
B235-58-502	2				
58-502D		GROMMET, SCREW-DOOR GLASS			
UB39-58-502A	4				
58-505C		SCREW, WINDOW REGULATOR			
B092-58-505	6				
58-602		GUIDE'B'(R), GLASS			
NA01-58-603D	1				
58-602Z		GUIDE'B'(L), GLASS			
NA01-59-603D	1				
58-604		CHANNEL(R), DIVISION-DOOR			
NA01-58-604B	1				
58-604Z		CHANNEL(L), DIVISION-DOOR			
NA01-59-604B	1				
58-651		WEATHERSTRIP(R)			
NA01-58-651A (NA01-58-651B)	1				-7701
*NA01-58-651B	1				7701-
58-651Z		WEATHERSTRIP(L)			
NA01-59-651A (NA01-59-651B)	1				-7701
*NA01-59-651B	1				7701-
58-661		GLASS(R), VENTILATOR			
NB39-58-661 (NB39-58-661A)	1				-7618
7618 NA35*V-738068					
7701 NA35*V-738443					



PART NO.	QTY	MODEL/RESTRICTION	MODEL/RESTRICTION	MODEL/RESTRICTION	FROM-TO
CONT'D					
*NB39-58-661A	1				7618-
+-----+   58-661Z   +-----+		GLASS(L), VENTILATOR			
NB39-59-661 AN(NB39-59-661A)	1				-7618
*NB39-59-661A	1				7618-
+-----+   58-760   +-----+		WEATHERSTRIP(R), DOOR			
NA01-58-760G AN(NA01-58-760H)	1				-6801
NA01-58-760H AN(NA01-58-760J)	1				6801-6819
NA01-58-760J	1				6819-
+-----+   58-760Z   +-----+		WEATHERSTRIP(L), DOOR			
NA01-59-760G AN(NA01-59-760H)	1				-6801
NA01-59-760H AN(NA01-59-760J)	1				6801-6819
NA01-59-760J	1				6819-
+-----+   58-762   +-----+		FASTENER			
G031-58-762	42				
+-----+   58-772A   +-----+		FASTENER			
*1011-58-772	4				
+-----+   58-910   +-----+		STOPPER, GLASS			
H272-58-911	4				
+-----+   68-911   +-----+		WELT, SEAMING			
NA01-68-911	2				
00	INT-	NA3 NA5 BLACK			
6801 NA35*V-719630 6819 NA35*V-719802 7618 NA35*V-738068					